

# PARTS LIST

## CAUTION

- The parts identified by the  $\triangle$  symbol are important for the safety . Whenever replacing these parts, be sure to use specified ones to secure the safety .
- The parts not indicated in this Parts List and those which are filled with lines --- in the Parts No. columns will not be supplied .
- P. W. Board Ass'y will not be supplied, but those which are filled with the Parts No. in the Parts No. columns will be supplied .

## ABBREVIATIONS OF RESISTORS, CAPACITORS AND TOLERANCES

| RESISTORS |  | CAPACITORS      |   |
|-----------|--|-----------------|---|
| C R       | Carbon Resistor                                  | C CAP.          | Ceramic Capacitor                             |
| F R       | Fusible Resistor                                 | E CAP.          | Electrolytic Capacitor                        |
| P R       | Plate Resistor                                   | M CAP.          | Mylar Capacitor                               |
| V R       | Variable Resistor                                | HV CAP.         | High Voltage Capacitor                        |
| HV R      | High Voltage Resistor                            | MF CAP.         | Metalized Film Capacitor                      |
| MF R      | Metal Film Resistor                              | MM CAP.         | Metalized Mylar Capacitor                     |
| MG R      | Metal Glazed Resistor                            | MP CAP.         | Metalized Polystyrol Capacitor                |
| MP R      | Metal Plate Resistor                             | PP CAP.         | Polypropylene Capacitor                       |
| OM R      | Metal Oxide Film Resistor                        | PS CAP.         | Polystyrol Capacitor                          |
| CMF R     | Coating Metal Film Resistor                      | TF CAP.         | Thin Film Capacitor                           |
| UNF R     | Non-Flammable Resistor                           | MPP CAP.        | Metalized Polypropylene Capacitor             |
| CH V R    | Chip Variable Resistor                           | TAN. CAP.       | Tantalum Capacitor                            |
| CH MG R   | Chip Metal Glazed Resistor                       | CH C CAP.       | Chip Ceramic Capacitor                        |
| COMP. R   | Composition Resistor                             | BP E CAP.       | Bi-Polar Electrolytic Capacitor               |
| LPTC R    | Linear Positive Temperature Coefficient Resistor | CH AL E CAP.    | Chip Aluminum Electrolytic Capacitor          |
|           |  | CH AL BP CAP.   | Chip Aluminum Bi-Polar Capacitor              |
|           |  | CH TAN. E CAP.  | Chip Tantalum Electrolytic Capacitor          |
|           |  | CH AL BP E CAP. | Chip Tantalum Bi-Polar Electrolytic Capacitor |

| RESISTORS |     |     |      |      |      |              |              |              |             |
|-----------|-----|-----|------|------|------|--------------|--------------|--------------|-------------|
| F         | G   | J   | K    | M    | N    | R            | H            | Z            | P           |
| ±1%       | ±2% | ±5% | ±10% | ±20% | ±30% | +30%<br>-10% | +50%<br>-10% | +80%<br>-20% | +100%<br>0% |

# CONTENTS

|  |           |
|--|-----------|
| <b>USING P.W. BOARD &amp; REMOTE CONTROL UNIT .....</b>              | <b>37</b> |
| <b>EXPLODED VIEW PARTS LIST .....</b>                                | <b>38</b> |
| <b>EXPLODED VIEW .....</b>   | <b>39</b> |
| <br>   |           |
| <b>PRINTED WIRING BOARD PARTS LIST (AV-36230/H)</b>                  |           |
| MAIN PW BOARD ASS'Y .....  | 40        |
| CRT SOCKET PW BOARD ASS'Y .....                                      | 43        |
| FRONT CONTROL PW BOARD ASS'Y .....                                   | 43        |
| FRONT AV INPUT PW BOARD ASS'Y .....                                  | 43        |
| LF PW BOARD ASS'Y .....  | 44        |
| AV SELECTOR PW BOARD ASS'Y .....                                     | 44        |
| <b>REMOTE CONTROL UNIT PARTS LIST (RM-C306-1A) .....</b>             | <b>45</b> |
| <b>DIFFERENCE PARTS LIST BETWEEN AV-36230/H AND AV-36230/R .....</b> | <b>46</b> |
| <br>   |           |
| <b>PRINTED WIRING BOARD PARTS LIST (AV-36260/R)</b>                  |           |
| MAIN PW BOARD ASS'Y .....  | 47        |
| CRT SOCKET PW BOARD ASS'Y .....                                      | 50        |
| FRONT CONTROL PW BOARD ASS'Y .....                                   | 50        |
| FRONT AV INPUT PW BOARD ASS'Y .....                                  | 50        |
| LF PW BOARD ASS'Y .....  | 51        |
| PIP PW BOARD ASS'Y .....   | 51        |
| AV SELECTOR PW BOARD ASS'Y .....                                     | 51        |
| <b>REMOTE CONTROL UNIT PARTS LIST (RM-C305-1A) .....</b>             | <b>53</b> |
| <b>DIFFERENCE PARTS LIST BETWEEN AV-36260/R AND AV-36260/H .....</b> | <b>54</b> |
| <br>   |           |
| <b>PACKING / PACKING PARTS LIST .....</b>                            | <b>55</b> |

## USING P.W. BOARD & REMOTE CONTROL UNIT

### [AV-36230]

| <b>P.W.B ASS'Y</b>      | <b>Model</b> | <b>AV-36230/H</b> | <b>AV-36230/R</b> |
|-------------------------|--------------|-------------------|-------------------|
| MAIN PW BOARD           |              | SAC-1540A-M2      | SAC-1539A-M2      |
| CRT SOCKET PW BOARD     |              | SAC-3505A-M2      | SAC-3504A-M2      |
| FRONT CONTROL PW BOARD  |              | SAC-8506A-M2      | ←                 |
| FRONT AV INPUT PW BOARD |              | SAC-8604A-M2      | ←                 |
| LF PW BOARD             |              | SAC-9502A-M2      | ←                 |
| AV SELECTOR PW BOARD    |              | SAC0S510A-M2      | ←                 |
| REMOTE CONTROL UNIT     |              | RM-C306-1A        | ←                 |

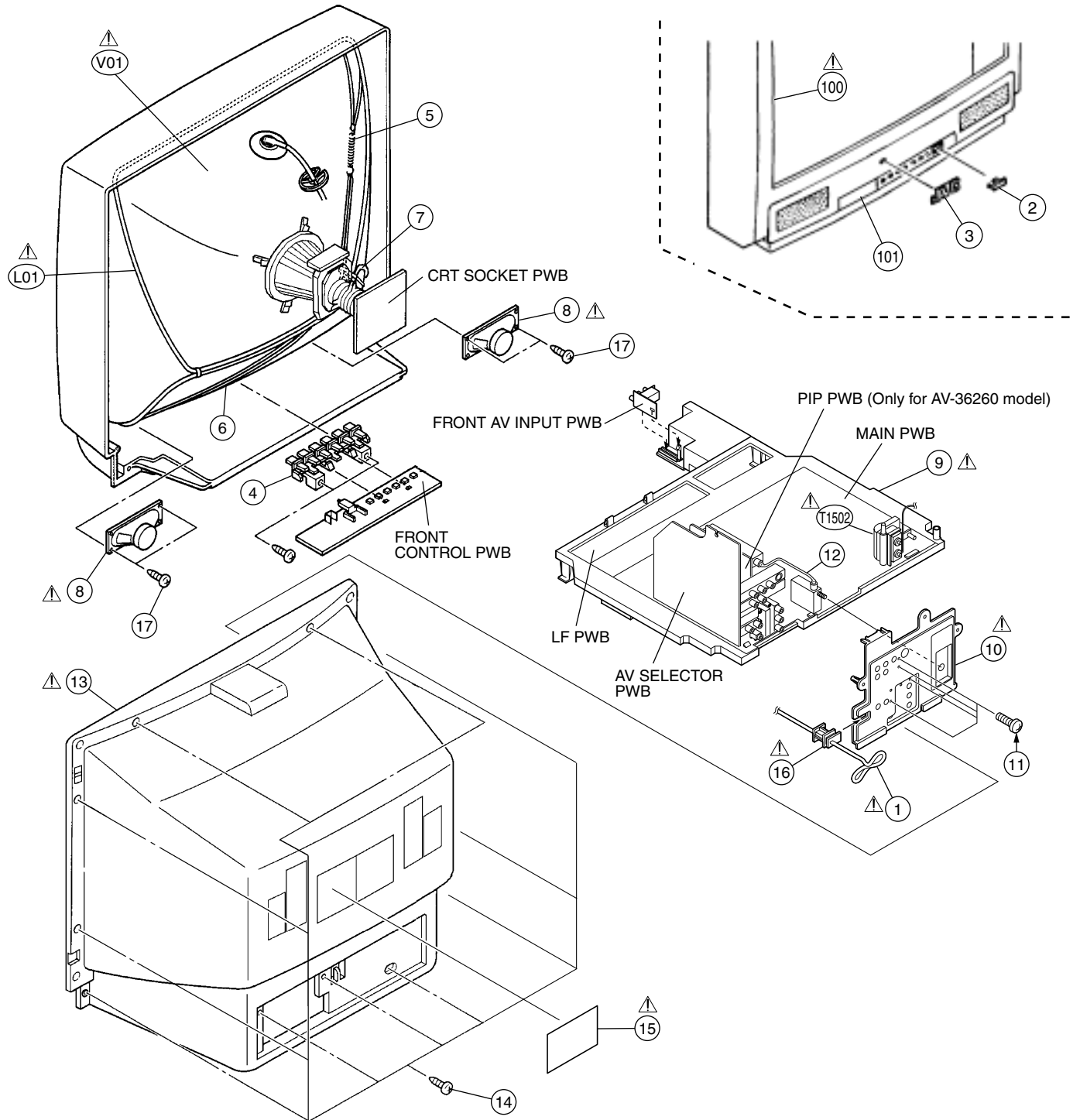
### [AV-36260]

| <b>P.W.B ASS'Y</b>      | <b>Model</b> | <b>AV-36260/H</b> | <b>AV-36260/R</b> |
|-------------------------|--------------|-------------------|-------------------|
| MAIN PW BOARD           |              | SAC-1534A-M2      | SAC-1533A-M2      |
| CRT SOCKET PW BOARD     |              | SAC-3505A-M2      | SAC-3504A-M2      |
| FRONT CONTROL PW BOARD  |              | SAC-8506A-M2      | ←                 |
| FRONT AV INPUT PW BOARD |              | SAC-8604A-M2      | ←                 |
| LF PW BOARD             |              | SAC-9502A-M2      | ←                 |
| PIP PW BOARD            |              | SAC0P502A-M2      | ←                 |
| AV SELECTOR PW BOARD    |              | SAC0S509A-M2      | ←                 |
| REMOTE CONTROL UNIT     |              | RM-C305-1A        | ←                 |

## EXPLODED VIEW PARTS LIST (AV-36230 & AV-36260)

| △ Ref.No. | Part No.       | Part Name       | Description  | Local |
|-----------|----------------|-----------------|--|-------|
| △ L01     | CELD067-001JA  | DEG COIL        |  |       |
| △ T1502   | QQH0092-001    | FBT             |  |       |
| △ V01     | A90LPY30X04    | CRT             | Inc. DY (AV-36230 <sup>H</sup> , AV-36260 <sup>H</sup> ) |       |
| △ V01     | A90AEJ15X01    | CRT             | Inc. DY (AV-36230 <sup>R</sup> , AV-36260 <sup>R</sup> ) |       |
| △ 1       | QMPD200-200-JC | POWER CORD      | CN90PW Within LF PWB                                     |       |
| △ 2       | CM35983-001-H  | REMOCON WINDOW  |  |       |
| △ 3       | CM46084-A01    | JVC MARK        |  |       |
| △ 4       | CM35776-B01-H  | CONTROL KNOB    |  |       |
| △ 5       | A48457-4-S     | SPRING          |  |       |
| △ 6       | WJY0016-003A   | BRAIDED WIRE    |  |       |
| △ 7       | WJY0013-005A   | BRAIDED WIRE    |  |       |
| △ 8       | CEBSS12D-02J2  | SPEAKER         | (x2) SP01, SP02  |       |
| △ 9       | LC11056-002B-A | CHASSIS BASE    |  |       |
| △ 10      | LC20626-004B-A | TERMINAL BOARD  |  |       |
| △ 11      | QYSBSB3010Z    | TAPPING SCREW   | (x4)   |       |
| △ 12      | CHGY0031-0C    | ANT CABLE ASSY  | (Only for AV-36260 model)                                |       |
| △ 13      | CM12634-006-MA | REAR COVER      |  |       |
| △ 14      | QYSBSFG4016Z   | TAPPING SCREW   | (x11)  |       |
| △ 15      | LC31139-001A-A | RATING LABEL    |  |       |
| △ 16      | LC20106-001D-A | CORD CLAMP      |  |       |
| △ 17      | QYSBSB4012Z    | TAPPING SCREW   | (x4)   |       |
| △ 100     | CM12747-A0G-MA | FRONT CABI ASSY | Inc. No. 101   |       |
| △ 101     | CM36162-005-A  | DOOR            |  |       |

# EXPLODED VIEW



**PRINTED WIRING BOARD PARTS LIST (AV-36230/H)****MAIN PW BOARD ASS'Y (SAC-1540A-M2)**

| △               | Symbol No. | Part No.     | Part Name | Description | Local | △               | Symbol No. | Part No.      | Part Name   | Description       | Local  |   |
|-----------------|------------|--------------|-----------|-------------|-------|-----------------|------------|---------------|-------------|-------------------|--------|---|
| <b>RESISTOR</b> |            |              |           |             |       | <b>RESISTOR</b> |            |               |             |                   |        |   |
|                 | R1001      | NRSA63J-473X | MG R      | 47kΩ 1/16W  | J     |                 | R1522      | NRSA63J-561X  | MG R        | 560Ω 1/16W        | J      |   |
|                 | R1002      | NRSA63J-102X | MG R      | 1kΩ 1/16W   | J     |                 | R1523      | QRJ146J-333X  | C R         | 33kΩ 1/4W         | J      |   |
|                 | R1003-04   | NRSA63J-0R0X | MG R      | 0.0Ω 1/16W  | J     | △               | R1525      | QRZ9011-470   | F R         | 47Ω 1/2W          | J      |   |
|                 | R1011      | NRSA63J-820X | MG R      | 82Ω 1/16W   | J     |                 | R1526      | QRE121J-272Y  | C R         | 2.7kΩ 1/2W        | J      |   |
|                 | R1012      | NRSA63J-182X | MG R      | 1.8kΩ 1/16W | J     |                 | R1527-28   | QRE121J-154Y  | C R         | 150kΩ 1/2W        | J      |   |
|                 | R1013      | NRSA63J-562X | MG R      | 5.6kΩ 1/16W | J     |                 | R1529      | NRSA63J-331X  | MG R        | 330Ω 1/16W        | J      |   |
|                 | R1014      | QRE121J-101Y | C R       | 100Ω 1/2W   | J     | △               | R1531      | QRJ146J-391X  | C R         | 390Ω 1/4W         | J      |   |
|                 | R1015      | NRSA63J-180X | MG R      | 18Ω 1/16W   | J     |                 | R1532      | NRSA63J-273X  | MG R        | 27kΩ 1/16W        | J      |   |
|                 | R1016      | NRSA63J-270X | MG R      | 27Ω 1/16W   | J     |                 | R1533-34   | NRSA63J-123X  | MG R        | 12kΩ 1/16W        | J      |   |
|                 | R1018      | NRSA63J-104X | MG R      | 100kΩ 1/16W | J     | △               | R1535      | NRVA02D-242X  | MF R        | 2.4kΩ 1/10W ±0.5% |        |   |
|                 | R1020      | NRSA63J-332X | MG R      | 3.3kΩ 1/16W | J     | △               | R1537      | NRZ0032-7151X | MF R        | 7.15kΩ            |        |   |
|                 | R1021      | NRSA63J-123X | MG R      | 12kΩ 1/16W  | J     |                 | R1538      | NRSA63J-333X  | MG R        | 33kΩ 1/16W        | J      |   |
|                 | R1022      | NRSA63J-151X | MG R      | 150Ω 1/16W  | J     |                 | R1543      | QRE121J-122Y  | C R         | 1.2kΩ 1/2W        | J      |   |
|                 | R1023      | NRSA63J-101X | MG R      | 100Ω 1/16W  | J     |                 | R1544      | QRE121J-392Y  | C R         | 3.9kΩ 1/2W        | J      |   |
|                 | R1024      | NRSA63J-102X | MG R      | 1kΩ 1/16W   | J     |                 | R1545      | QRE121J-822Y  | C R         | 8.2kΩ 1/2W        | J      |   |
|                 | R1025      | NRSA63J-561X | MG R      | 560Ω 1/16W  | J     |                 | R1546      | NRSA63J-331X  | MG R        | 330Ω 1/16W        | J      |   |
|                 | R1026      | NRSA63J-331X | MG R      | 330Ω 1/16W  | J     |                 | R1547      | NRSA63J-104X  | MG R        | 100kΩ 1/16W       | J      |   |
|                 | R1028      | NRSA63J-821X | MG R      | 820Ω 1/16W  | J     |                 | R1548      | QRE121J-152Y  | C R         | 1.5kΩ 1/2W        | J      |   |
|                 | R1038      | NRSA63J-272X | MG R      | 2.7kΩ 1/16W | J     |                 | R1553      | QRL039J-180   | OM R        | 18Ω 3W            | J      |   |
|                 | R1039-40   | NRSA63J-0R0X | MG R      | 0.0Ω 1/16W  | J     |                 | R1601-03   | NRSA63J-750X  | MG R        | 75Ω 1/16W         | J      |   |
|                 | R1041      | NRSA63J-272X | MG R      | 2.7kΩ 1/16W | J     |                 | R1610-12   | NRSA63J-221X  | MG R        | 220Ω 1/16W        | J      |   |
|                 | R1042-43   | NRSA63J-102X | MG R      | 1kΩ 1/16W   | J     |                 | R1700-02   | NRSA63J-102X  | MG R        | 1kΩ 1/16W         | J      |   |
|                 | R1045-46   | NRSA63J-0R0X | MG R      | 0.0Ω 1/16W  | J     |                 | R1704-05   | NRSA63J-472X  | MG R        | 4.7kΩ 1/16W       | J      |   |
|                 | R1047      | NRSA63J-153X | MG R      | 15kΩ 1/16W  | J     |                 | R1706-07   | NRSA63J-103X  | MG R        | 10kΩ 1/16W        | J      |   |
|                 | R1048      | NRSA63J-154X | MG R      | 150kΩ 1/16W | J     |                 | R1708-09   | NRSA63J-101X  | MG R        | 100Ω 1/16W        | J      |   |
|                 | R1101-02   | NRSA63J-101X | MG R      | 100Ω 1/16W  | J     |                 | R1715      | NRSA63J-103X  | MG R        | 10kΩ 1/16W        | J      |   |
|                 | R1111      | NRSA63J-105X | MG R      | 1MΩ 1/16W   | J     |                 | R1721-22   | NRSA63J-102X  | MG R        | 1kΩ 1/16W         | J      |   |
|                 | R1131      | NRSA63J-272X | MG R      | 2.7kΩ 1/16W | J     |                 | R1724      | NRSA63J-102X  | MG R        | 1kΩ 1/16W         | J      |   |
|                 | R1134      | NRSA63J-562X | MG R      | 5.6kΩ 1/16W | J     |                 | R1726-28   | NRSA63J-102X  | MG R        | 1kΩ 1/16W         | J      |   |
|                 | R1135      | NRSA63J-102X | MG R      | 1kΩ 1/16W   | J     |                 | R1729      | NRSA63J-223X  | MG R        | 22kΩ 1/16W        | J      |   |
|                 | R1140      | NRSA63J-562X | MG R      | 5.6kΩ 1/16W | J     |                 | R1731-32   | NRSA63J-101X  | MG R        | 100Ω 1/16W        | J      |   |
|                 | R1141      | NRSA63J-0R0X | MG R      | 0.0Ω 1/16W  | J     |                 | R1733-34   | NRSA63J-272X  | MG R        | 2.7kΩ 1/16W       | J      |   |
|                 | R1201      | NRSA63J-333X | MG R      | 33kΩ 1/16W  | J     |                 | R1737      | NRSA63J-222X  | MG R        | 2.2kΩ 1/16W       | J      |   |
|                 | R1231      | NRSA63J-182X | MG R      | 1.8kΩ 1/16W | J     |                 | R1738      | NRSA63J-102X  | MG R        | 1kΩ 1/16W         | J      |   |
|                 | R1237      | NRSA63J-392X | MG R      | 3.9kΩ 1/16W | J     |                 | R1739      | NRSA63J-272X  | MG R        | 2.7kΩ 1/16W       | J      |   |
|                 | R1238      | NRSA63J-473X | MG R      | 47kΩ 1/16W  | J     |                 | R1740      | NRSA63J-103X  | MG R        | 10kΩ 1/16W        | J      |   |
|                 | R1241      | NRSA63J-332X | MG R      | 3.3kΩ 1/16W | J     |                 | R1741      | NRSA63J-0R0X  | MG R        | 0.0Ω 1/16W        | J      |   |
|                 | R1243      | NRSA63J-152X | MG R      | 1.5kΩ 1/16W | J     |                 | R1742-43   | NRSA63J-103X  | MG R        | 10kΩ 1/16W        | J      |   |
|                 | R1281      | NRSA63J-182X | MG R      | 1.8kΩ 1/16W | J     |                 | R1748      | NRSA63J-103X  | MG R        | 10kΩ 1/16W        | J      |   |
|                 | R1282      | NRSA63J-392X | MG R      | 3.9kΩ 1/16W | J     |                 | R1749-51   | NRSA63J-222X  | MG R        | 2.2kΩ 1/16W       | J      |   |
|                 | R1283      | NRSA63J-681X | MG R      | 680Ω 1/16W  | J     |                 | R1752      | NRSA63J-102X  | MG R        | 1kΩ 1/16W         | J      |   |
|                 | R1286      | NRSA63J-472X | MG R      | 4.7kΩ 1/16W | J     |                 | R1753      | NRSA63J-0R0X  | MG R        | 0.0Ω 1/16W        | J      |   |
|                 | R1287      | NRSA63J-101X | MG R      | 100Ω 1/16W  | J     |                 | R1754      | NRSA63J-102X  | MG R        | 1kΩ 1/16W         | J      |   |
|                 | R1288      | NRSA02J-471X | MG R      | 470Ω 1/10W  | J     |                 | R1755      | NRSA63J-153X  | MG R        | 15kΩ 1/16W        | J      |   |
|                 | R1289      | NRSA63J-154X | MG R      | 150kΩ 1/16W | J     |                 | R1756      | NRSA63J-103X  | MG R        | 10kΩ 1/16W        | J      |   |
|                 | R1290      | NRSA02J-561X | MG R      | 560Ω 1/10W  | J     |                 | R1764-68   | NRSA63J-221X  | MG R        | 220Ω 1/16W        | J      |   |
|                 | R1291      | NRSA63J-103X | MG R      | 10kΩ 1/16W  | J     |                 | R1769-70   | NRSA63J-682X  | MG R        | 6.8kΩ 1/16W       | J      |   |
|                 | R1292      | NRSA63J-123X | MG R      | 12kΩ 1/16W  | J     |                 | R1772      | NRSA63J-103X  | MG R        | 10kΩ 1/16W        | J      |   |
|                 | R1301-03   | NRSA63J-222X | MG R      | 2.2kΩ 1/16W | J     |                 | R1774      | NRSA63J-682X  | MG R        | 6.8kΩ 1/16W       | J      |   |
|                 | R1304-06   | NRSA63J-101X | MG R      | 100Ω 1/16W  | J     |                 | R1775      | NRSA63J-473X  | MG R        | 47kΩ 1/16W        | J      |   |
|                 | R1354-55   | NRSA63J-0R0X | MG R      | 0.0Ω 1/16W  | J     |                 | R1776      | NRSA63J-272X  | MG R        | 2.7kΩ 1/16W       | J      |   |
|                 | R1356      | NRSA63J-123X | MG R      | 12kΩ 1/16W  | J     |                 | R1777      | NRSA63J-103X  | MG R        | 10kΩ 1/16W        | J      |   |
|                 | R1359      | NRSA63J-103X | MG R      | 10kΩ 1/16W  | J     |                 | R1793-95   | NRSA63J-331X  | MG R        | 330Ω 1/16W        | J      |   |
|                 | R1360      | NRSA63J-0R0X | MG R      | 0.0Ω 1/16W  | J     |                 | R1798-99   | NRSA63J-103X  | MG R        | 10kΩ 1/16W        | J      |   |
|                 | R1401      | NRSA63J-822X | MG R      | 8.2kΩ 1/16W | J     |                 | R1800      | NRSA63J-103X  | MG R        | 10kΩ 1/16W        | J      |   |
|                 | R1403      | QRX01GJ-1R0  | MF R      | 1.0Ω 1W     | J     |                 | R1801-04   | NRSA63J-0R0X  | MG R        | 0.0Ω 1/16W        | J      |   |
|                 | R1404      | QRE121J-100Y | C R       | 10Ω 1/2W    | J     |                 | R1806      | NRSA63J-102X  | MG R        | 1kΩ 1/16W         | J      |   |
|                 | R1405      | NRSA63J-103X | MG R      | 10kΩ 1/16W  | J     |                 | R1807      | NRSA63J-222X  | MG R        | 2.2kΩ 1/16W       | J      |   |
|                 | R1407      | NRSA02J-0R0X | MG R      | 0.0Ω 1/10W  | J     |                 | R1810      | NRSA63J-0R0X  | MG R        | 0.0Ω 1/16W        | J      |   |
|                 | R1411-12   | NRSA63J-103X | MG R      | 10kΩ 1/16W  | J     |                 | R1811      | NRSA63J-473X  | MG R        | 47kΩ 1/16W        | J      |   |
|                 | R1414      | QRL029J-221  | OM R      | 220Ω 2W     | J     |                 | R1812      | NRSA63J-102X  | MG R        | 1kΩ 1/16W         | J      |   |
|                 | R1431      | QRE121J-272Y | C R       | 2.7kΩ 1/2W  | J     |                 | R1814      | NRSA63J-104X  | MG R        | 100kΩ 1/16W       | J      |   |
|                 | R1432      | NRSA63J-104X | MG R      | 100kΩ 1/16W | J     |                 | R1815      | NRSA63J-154X  | MG R        | 150kΩ 1/16W       | J      |   |
|                 | R1433      | NRSA63J-473X | MG R      | 47kΩ 1/16W  | J     |                 | R1816      | NRSA63J-0R0X  | MG R        | 0.0Ω 1/16W        | J      |   |
|                 | R1434      | NRSA63J-822X | MG R      | 8.2kΩ 1/16W | J     |                 | R1817      | NRSA63J-104X  | MG R        | 100kΩ 1/16W       | J      |   |
|                 | R1435      | NRSA63J-103X | MG R      | 10kΩ 1/16W  | J     |                 | R1818      | NRSA63J-0R0X  | MG R        | 0.0Ω 1/16W        | J      |   |
|                 | R1501      | NRSA63J-0R0X | MG R      | 0.0Ω 1/16W  | J     |                 | R1821      | NRSA63J-104X  | MG R        | 100kΩ 1/16W       | J      |   |
|                 | R1502      | NRSA63J-271X | MG R      | 270Ω 1/16W  | J     |                 | R1824      | NRSA63J-103X  | MG R        | 10kΩ 1/16W        | J      |   |
|                 | R1503      | QRE121J-103Y | C R       | 10kΩ 1/2W   | J     |                 | R1827      | NRSA63J-102X  | MG R        | 1kΩ 1/16W         | J      |   |
|                 | R1504-05   | QRL039J-152  | OM R      | 1.5kΩ 3W    | J     |                 | △          | R1857         | QRG029J-330 | OM R              | 33Ω 2W | J |
|                 | R1511      | QRE121J-220Y | C R       | 22Ω 1/2W    | J     |                 | △          | R1858         | QRG029J-180 | OM R              | 18Ω 2W | J |
|                 | R1512      | QRE121J-681Y | C R       | 680Ω 1/2W   | J     |                 | R1860      | NRSA63J-562X  | MG R        | 5.6kΩ 1/16W       | J      |   |

| △ Symbol No.     | Part No.     | Part Name | Description | Local   | △ Symbol No.     | Part No.     | Part Name | Description | Local      |
|------------------|--------------|-----------|-------------|---------|------------------|--------------|-----------|-------------|------------|
| <b>RESISTOR</b>  |              |           |             |         | <b>CAPACITOR</b> |              |           |             |            |
| △ R1901          | QRF074K-R47  | UNF R     | 0.47Ω       | 7W K    | C1288            | NCB31HK-103X | C CAP.    | 0.01μF      | 50V K      |
| △ R1909          | QRG01GJ-470  | OM R      | 47Ω         | 1W J    | C1352            | QETN1CM-336Z | E CAP.    | 33μF        | 16V M      |
| R1911            | QRE121J-223Y | C R       | 22kΩ        | 1/2W J  | C1354            | QFV71HJ-154Z | MF CAP.   | 0.15μF      | 50V J      |
| R1912-13         | QRT029J-R22  | MF R      | 0.22Ω       | 2W J    | C1391            | QETN1CM-107Z | E CAP.    | 100μF       | 16V M      |
| R1914            | QRK126J-681X | C R       | 680Ω        | 1/2W J  | C1392            | NCB31HK-103X | C CAP.    | 0.01μF      | 50V K      |
| R1915            | QRE121J-270Y | C R       | 27Ω         | 1/2W J  | C1393-95         | NCB21HK-104X | C CAP.    | 0.1μF       | 50V K      |
| R1917            | QRK126J-332X | C R       | 3.3kΩ       | 1/2W J  | C1401            | NDC21HJ-152X | C CAP.    | 1500pF      | 50V J      |
| R1918            | QRE121J-222Y | C R       | 2.2kΩ       | 1/2W J  | C1403            | NCB21HK-273X | C CAP.    | 0.027μF     | 50V K      |
| R1919            | QRE121J-684Y | C R       | 680kΩ       | 1/2W J  | C1404            | QETN1VM-107Z | E CAP.    | 100μF       | 35V M      |
| R1924            | QRE121J-222Y | C R       | 2.2kΩ       | 1/2W J  | C1405            | QCS32HJ-100Z | C CAP.    | 10pF        | 500V J     |
| R1930            | QRE121J-223Y | C R       | 22kΩ        | 1/2W J  | C1407            | QFLC2AK-563Z | M CAP.    | 0.056μF     | 100V K     |
| R1939            | QRT039J-R22  | MF R      | 2.2Ω        | 3W J    | C1410            | QFLC2AJ-104Z | M CAP.    | 0.1μF       | 100V J     |
| R1940            | QRE121J-181Y | C R       | 180Ω        | 1/2W J  | C1411            | QETN1HM-105Z | E CAP.    | 1μF         | 50V M      |
| R1941            | QRL029J-183  | OM R      | 18kΩ        | 2W J    | C1415            | NCB21HK-104X | C CAP.    | 0.1μF       | 50V K      |
| R1943            | NRSA63J-104X | MG R      | 100kΩ       | 1/16W J | C1421            | QEHQ1VM-108  | E CAP.    | 1000μF      | 35V M      |
| R1944            | NRSA63J-122X | MG R      | 1.2kΩ       | 1/16W J | C1431            | QETN1HM-105Z | E CAP.    | 1μF         | 50V M      |
| R1951            | NRSA63J-473X | MG R      | 47kΩ        | 1/16W J | C1432            | QETN1EM-476Z | E CAP.    | 47μF        | 25V M      |
| R1952            | NRSA63J-102X | MG R      | 1kΩ         | 1/16W J | C1501            | QCB32HK-151Z | C CAP.    | 150pF       | 500V K     |
| R1953            | QRE121J-151Y | C R       | 150Ω        | 1/2W J  | C1502            | QCB32HK-331Z | C CAP.    | 330pF       | 500V K     |
| R1973            | QRE121J-272Y | C R       | 2.7kΩ       | 1/2W J  | C1503            | QEHR2CM-105Z | E CAP.    | 1μF         | 160V M     |
| R1975            | QRE121J-223Y | C R       | 22kΩ        | 1/2W J  | C1504            | QEZ0203-107  | E CAP.    | 100μF       | 160V M     |
| R1977            | QRE121J-473Y | C R       | 47kΩ        | 1/2W J  | C1507-08         | QEM61HK-475Z | E CAP.    | 4.7μF       | 50V K      |
| R1978            | NRSA63J-333X | MG R      | 33kΩ        | 1/16W J | △ C1510          | QFZ0196-502  | MPP CAP.  | 5000pF      | 1.5kVH ±3% |
| R1979-80         | QRT029J-1R2  | MF R      | 1.2Ω        | 2W J    | △ C1513          | QFZ0198-133  | MPP CAP.  | 0.013μF     | 1.5kVH ±3% |
| <b>CAPACITOR</b> |              |           |             |         | △ C1514          | QFP32GJ-183  | PP CAP.   | 0.018μF     | 400V J     |
| C1001            | QETN1HM-475Z | E CAP.    | 4.7μF       | 50V M   | △ C1515          | QFZ0197-564  | MPP CAP.  | 0.56μF      | 250V J     |
| C1002            | QETN1HM-106Z | E CAP.    | 10μF        | 50V M   | C1516            | QCB32HK-561Z | C CAP.    | 560pF       | 500V K     |
| C1003            | QETN1CM-108Z | E CAP.    | 1000μF      | 16V M   | C1521            | QETN2EM-106Z | E CAP.    | 10μF        | 250V M     |
| C1011-12         | NCB31HK-103X | C CAP.    | 0.01μF      | 50V K   | C1523            | QEHR1EM-108Z | E CAP.    | 1000μF      | 25V M      |
| C1014            | QETN1CM-107Z | E CAP.    | 100μF       | 16V M   | C1524            | QETN1EM-108Z | E CAP.    | 1000μF      | 25V M      |
| C1015-16         | NCB31HK-103X | C CAP.    | 0.01μF      | 50V K   | C1525            | QETN1VM-107Z | E CAP.    | 100μF       | 35V M      |
| C1021            | QFV71HJ-824Z | MF CAP.   | 0.82μF      | 50V J   | C1526            | QFV21HJ-824Z | MF CAP.   | 0.82μF      | 50V J      |
| C1023            | QETN1CM-107Z | E CAP.    | 100μF       | 16V M   | C1527            | QFLC2AJ-103Z | M CAP.    | 0.01μF      | 100V J     |
| C1024            | NCB31HK-103X | C CAP.    | 0.01μF      | 50V K   | C1531            | QCB32HK-102Z | C CAP.    | 1000pF      | 500V K     |
| C1025            | NCB31HK-102X | C CAP.    | 1000pF      | 50V K   | C1533            | QETN1HM-106Z | E CAP.    | 10μF        | 50V M      |
| C1026            | QETN1HM-474Z | E CAP.    | 0.47μF      | 50V M   | C1601-03         | QETN1EM-476Z | E CAP.    | 47μF        | 25V M      |
| C1027            | NCB21HK-104X | C CAP.    | 0.1μF       | 50V K   | C1609-11         | QFV71HJ-104Z | MF CAP.   | 0.1μF       | 50V J      |
| C1028            | QETN1HM-106Z | E CAP.    | 10μF        | 50V M   | C1612            | QETN1HM-105Z | E CAP.    | 1μF         | 50V M      |
| C1030            | NCB31HK-103X | C CAP.    | 0.01μF      | 50V K   | C1700            | NCB31HK-102X | C CAP.    | 1000pF      | 50V K      |
| C1034            | NCB31HK-103X | C CAP.    | 0.01μF      | 50V K   | C1703            | NDC31HJ-181X | C CAP.    | 180pF       | 50V J      |
| C1036            | QETN1AM-477Z | E CAP.    | 470μF       | 10V M   | C1706            | QETN1HM-105Z | E CAP.    | 1μF         | 50V M      |
| C1037            | NCB31HK-103X | C CAP.    | 0.01μF      | 50V K   | C1707            | QETN1CM-107Z | E CAP.    | 100μF       | 16V M      |
| C1038            | QETN1CM-107Z | E CAP.    | 100μF       | 16V M   | C1710            | NCB21EK-683X | C CAP.    | 0.068μF     | 25V K      |
| C1041-42         | QETN1HM-106Z | E CAP.    | 10μF        | 50V M   | C1721            | NCB31HK-103X | C CAP.    | 0.01μF      | 50V K      |
| C1043-44         | NDC31HJ-470X | C CAP.    | 47pF        | 50V J   | C1722-23         | NDC31HJ-390X | C CAP.    | 39pF        | 50V J      |
| C1045            | QETN1HM-106Z | E CAP.    | 10μF        | 50V M   | C1724            | NDC31HJ-471X | C CAP.    | 470pF       | 50V J      |
| C1046            | NCB31HK-103X | C CAP.    | 0.01μF      | 50V K   | C1726            | NDC21HJ-561X | C CAP.    | 560pF       | 50V J      |
| C1047            | NDC21HJ-330X | C CAP.    | 33pF        | 50V J   | C1800            | QETN1CM-107Z | E CAP.    | 100μF       | 16V M      |
| C1048            | NCB31HK-103X | C CAP.    | 0.01μF      | 50V K   | C1801            | NCB21HK-104X | C CAP.    | 0.1μF       | 50V K      |
| C1111            | QETN0JM-228Z | E CAP.    | 2200μF      | 6.3V M  | C1802            | QETN1CM-107Z | E CAP.    | 100μF       | 16V M      |
| C1112            | NCB31HK-103X | C CAP.    | 0.01μF      | 50V K   | C1803            | QETN1HM-106Z | E CAP.    | 10μF        | 50V M      |
| C1113            | QETN1HM-474Z | E CAP.    | 0.47μF      | 50V M   | C1804            | NDC31HJ-102X | C CAP.    | 1000pF      | 50V K      |
| C1114            | QETN1HM-105Z | E CAP.    | 1μF         | 50V M   | C1805            | NCB31HK-153X | C CAP.    | 0.015μF     | 50V K      |
| C1115            | QFV71HJ-104Z | MF CAP.   | 0.1μF       | 50V J   | C1806-07         | QETN1HM-106Z | E CAP.    | 10μF        | 50V M      |
| C1116            | NCB21HK-104X | C CAP.    | 0.1μF       | 50V K   | C1810            | QETN1HM-474Z | E CAP.    | 0.47μF      | 50V M      |
| C1131            | NDC31HJ-470X | C CAP.    | 47pF        | 50V J   | C1811            | QETN1HM-105Z | E CAP.    | 1μF         | 50V M      |
| C1136            | QENC1CM-106Z | BP E CAP. | 10μF        | 16V M   | C1813            | NCB31HK-102X | C CAP.    | 1000pF      | 50V K      |
| C1151            | NCB31HK-103X | C CAP.    | 0.01μF      | 50V K   | C1816            | NCB31HK-153X | C CAP.    | 0.015μF     | 50V K      |
| C1152            | QENC1HM-105Z | BP E CAP. | 1μF         | 50V M   | C1853-54         | QETN1CM-227Z | E CAP.    | 220μF       | 16V M      |
| C1201            | NDC31HJ-100X | C CAP.    | 10pF        | 50V J   | C1856            | QETN1CM-227Z | E CAP.    | 220μF       | 16V M      |
| C1202            | QETN1HM-224Z | E CAP.    | 0.22μF      | 50V M   | C1857            | QETN1CM-477Z | E CAP.    | 470μF       | 16V M      |
| C1203            | NCB31HK-222X | C CAP.    | 2200pF      | 50V K   | △ C1904-06       | QCZ9054-102  | C CAP.    | 1000pF      | 250V Z     |
| C1233            | NDC31HJ-560X | C CAP.    | 56pF        | 50V J   | △ C1907          | QEZ0169-477  | E CAP.    | 470μF       | 200V M     |
| C1237            | NCB31HK-103X | C CAP.    | 0.01μF      | 50V K   | △ C1908          | QCZ9054-102  | C CAP.    | 1000pF      | 250V Z     |
| C1281            | QFV71HJ-474Z | MF CAP.   | 0.47μF      | 50V J   | C1912            | QCZ0340-222  | C CAP.    | 2200pF      | 50V J      |
| C1282            | QETN1CM-227Z | E CAP.    | 220μF       | 16V M   | C1913            | QFLC1HJ-471Z | M CAP.    | 470pF       | 50V J      |
| C1283            | NCB31HK-103X | C CAP.    | 0.01μF      | 50V K   | C1914            | QETN1HM-107Z | E CAP.    | 100μF       | 50V M      |
| C1284            | QETN1HM-225Z | E CAP.    | 2.2μF       | 50V M   | C1916            | NDC31HJ-331X | C CAP.    | 330pF       | 50V J      |
| C1285            | NCB31HK-103X | C CAP.    | 0.01μF      | 50V K   | C1917            | NCB21HK-122X | C CAP.    | 1200pF      | 50V K      |
| C1286            | QETN1HM-106Z | E CAP.    | 10μF        | 50V M   | C1918            | NCB21HK-104X | C CAP.    | 0.1μF       | 50V K      |
| C1287            | QETN1CM-107Z | E CAP.    | 100μF       | 16V M   | C1919            | QFP32GJ-103  | PP CAP.   | 0.01μF      | 400V J     |
|                  |              |           |             |         | C1925            | NRSA63J-0R0X | MG R      | 0.0Ω        | 1/16W J    |

| △ Symbol No.     | Part No.     | Part Name | Description | Local |
|------------------|--------------|-----------|-------------|-------|
| <b>CAPACITOR</b> |              |           |             |       |
| C1931            | QEZ0203-107  | E CAP.    | 100μF 160V  | M     |
| C1932            | QETN1CM-108Z | E CAP.    | 1000μF 16V  | M     |
| C1933            | QETM1EM-228  | E CAP.    | 2200μF 25V  | M     |
| C1935            | QETN1EM-108Z | E CAP.    | 1000μF 25V  | M     |
| C1937            | QCZ0340-102  | C CAP.    | 1000pF      |       |
| C1938            | QETM1EM-228  | E CAP.    | 2200μF 25V  | M     |
| C1939            | QCB32HK-152Z | C CAP.    | 1500pF 500V | K     |
| C1941            | QCB32HK-102Z | C CAP.    | 1000pF 500V | K     |
| C1942            | QEHR1HM-105Z | E CAP.    | 1μF 50V     | M     |
| C1943            | QETN1CM-108Z | E CAP.    | 1000μF 16V  | M     |
| C1948            | QETN1EM-476Z | E CAP.    | 47μF 25V    | M     |
| C1951            | QETN1CM-477Z | E CAP.    | 470μF 16V   | M     |
| C1971            | QETN1CM-107Z | E CAP.    | 100μF 16V   | M     |
| C1972            | QETN1EM-476Z | E CAP.    | 47μF 25V    | M     |
| C1973            | QETN1HM-106Z | E CAP.    | 10μF 50V    | M     |
| △ C1998-99       | QCZ9074-103  | C CAP.    | 0.01μF 125V | M     |

|                    |             |                 |  |  |
|--------------------|-------------|-----------------|--|--|
| <b>TRANSFORMER</b> |             |                 |  |  |
| T1501              | CE42034-002 | H.DRIVE TRANSF. |  |  |
| △ T1502            | QQH0092-001 | H.V.TRANSF.     |  |  |
| △ T1921            | QQS0098-001 | SWITCH.TRANSF.  |  |  |
| △ T1951            | QQT0315-001 | POWER TRANSF.   |  |  |

|             |              |              |        |        |
|-------------|--------------|--------------|--------|--------|
| <b>COIL</b> |              |              |        |        |
| △ L1001     | QQL244K-560Z | PEAKING COIL | 56μH   | K      |
| L1012       | QQLZ014-R39  | PEAKING COIL | 0.39μH |        |
| L1021       | QRN143J-0R0X | C R          | 0.0Ω   | 1/4W J |
| L1022       | QQL244K-220Z | PEAKING COIL | 22μH   | K      |
| L1027       | QRN143J-0R0X | C R          | 0.0Ω   | 1/4W J |
| L1041       | QRN143J-0R0X | C R          | 0.0Ω   | 1/4W J |
| L1042       | QQL244K-220Z | PEAKING COIL | 22μH   | K      |
| L1101       | QQL244K-470Z | COIL         | 47μH   | K      |
| L1232       | QQL244K-560Z | PEAKING COIL | 56μH   | K      |
| △ L1511     | QQR1027-003  | LINE FILTER  |        |        |
| L1512       | QQLZ027-821  | CHOKE COIL   | 820μH  |        |
| △ L1521     | QQLZ026-430  | HEATER CHOKE | 43μH   |        |
| L1700       | QQL244K-4R7Z | COIL         | 4.7μH  | K      |
| L1810       | QQL244J-100Z | COIL         | 10μH   | J      |
| L1931       | QQL26AK-470Z | COIL         | 47μH   | K      |
| L1933       | QQL26AK-470Z | COIL         | 47μH   | K      |
| L1937       | QQL26AK-470Z | COIL         | 47μH   | K      |

|              |                |             |  |  |
|--------------|----------------|-------------|--|--|
| <b>DIODE</b> |                |             |  |  |
| D1101-02     | MTZJ8.2C-T2    | ZENER DIODE |  |  |
| D1305        | 1SS133-T2      | SI.DIODE    |  |  |
| D1306        | 1SS133-T2      | SI.DIODE    |  |  |
| D1307        | 1SS133-T2      | SI.DIODE    |  |  |
| D1308        | 1SS133-T2      | SI.DIODE    |  |  |
| D1309        | 1SS133-T2      | SI.DIODE    |  |  |
| D1310        | 1SS133-T2      | SI.DIODE    |  |  |
| D1352        | MTZJ9.1C-T2    | ZENER DIODE |  |  |
| D1353        | 1SS133-T2      | SI.DIODE    |  |  |
| D1401        | 1SR35-400A-T2  | SI.DIODE    |  |  |
| D1431        | 1SR35-400A-T2  | SI.DIODE    |  |  |
| D1432        | 1SS133-T2      | SI.DIODE    |  |  |
| D1501        | RH3G-F1        | SI.DIODE    |  |  |
| D1502        | RU3AM-LFC4     | SI.DIODE    |  |  |
| D1521        | RH1S-T3        | SI.DIODE    |  |  |
| D1523-24     | RGP10J-5025-T3 | SI.DIODE    |  |  |
| D1525-26     | 1SS81-T5       | SI.DIODE    |  |  |
| D1527        | 1SR124-400A-T2 | SI.DIODE    |  |  |
| D1529        | MTZJ5.1C-T2    | ZENER DIODE |  |  |
| △ D1531      | MA4068N/Z1-T2  | ZENER DIODE |  |  |
| D1535        | 1SS133-T2      | SI.DIODE    |  |  |
| D1537        | 1SR35-400A-T2  | SI.DIODE    |  |  |
| D1601        | MTZJ9.1C-T2    | ZENER DIODE |  |  |
| D1603        | MTZJ9.1C-T2    | ZENER DIODE |  |  |
| D1606        | MTZJ9.1C-T2    | ZENER DIODE |  |  |
| D1701        | 1SS133-T2      | SI.DIODE    |  |  |

| △ Symbol No. | Part No.       | Part Name    | Description | Local |
|--------------|----------------|--------------|-------------|-------|
| <b>DIODE</b> |                |              |             |       |
| D1706-10     | MTZJ8.2C-T2    | ZENER DIODE  |             |       |
| D1721        | 1SS133-T2      | SI.DIODE     |             |       |
| D1722        | 1SS133-T2      | SI.DIODE     |             |       |
| D1723-24     | MTZJ5.6B-T2    | ZENER DIODE  |             |       |
| D1800        | 1SS81-T2       | SI.DIODE     |             |       |
| D1801        | 1SS133-T2      | SI.DIODE     |             |       |
| D1810        | MTZJ8.2C-T2    | ZENER DIODE  |             |       |
| D1811        | 1SS133-T2      | SI.DIODE     |             |       |
| △ D1901      | D3SBA60        | DIODE BRIDGE |             |       |
| D1910        | MA700A-T2      | SI.DIODE     |             |       |
| △ D1911-13   | RGP10J-5025-T3 | SI.DIODE     |             |       |
| D1914        | 1SS133-T2      | SI.DIODE     |             |       |
| D1915        | SARS01-T2      | SI.DIODE     |             |       |
| D1917        | MTZJ30A-T2     | ZENER DIODE  |             |       |
| D1918        | MTZJ5.1C-T2    | ZENER DIODE  |             |       |
| D1920        | 1SS133-T2      | SI.DIODE     |             |       |
| D1931        | RU30A-F1       | SI.DIODE     |             |       |
| D1933        | RU3YX-LFC4     | SI.DIODE     |             |       |
| D1935        | RU3YX-LFC4     | SI.DIODE     |             |       |
| D1937        | RGP10J-5025-T3 | SI.DIODE     |             |       |
| D1941        | MTZJ33A-T2     | ZENER DIODE  |             |       |
| D1945        | 1SS133-T2      | SI.DIODE     |             |       |
| D1952        | 1SS133-T2      | SI.DIODE     |             |       |
| D1953        | 1SS133-T2      | SI.DIODE     |             |       |
| D1954-57     | 1SR35-400A-T2  | SI.DIODE     |             |       |
| D1972        | MTZJ15C-T2     | ZENER DIODE  |             |       |
| D1973        | 1SS133-T2      | SI.DIODE     |             |       |

|                   |                 |                 |  |  |
|-------------------|-----------------|-----------------|--|--|
| <b>TRANSISTOR</b> |                 |                 |  |  |
| Q1011             | 2SC5083/L-P/T   | SI.TRANSISTOR   |  |  |
| Q1021             | 2SC2412K/QR/-X  | SI.TRANSISTOR   |  |  |
| Q1024             | 2SC2412K/QR/-X  | SI.TRANSISTOR   |  |  |
| Q1025             | 2SA1037AK/QR/-X | SI.TRANSISTOR   |  |  |
| Q1041             | 2SA1037AK/QR/-X | SI.TRANSISTOR   |  |  |
| Q1131             | 2SC2412K/QR/-X  | SI.TRANSISTOR   |  |  |
| Q1232-33          | 2SC2412K/QR/-X  | SI.TRANSISTOR   |  |  |
| Q1352             | 2SC2412K/QR/-X  | SI.TRANSISTOR   |  |  |
| Q1431             | 2SC2412K/QR/-X  | SI.TRANSISTOR   |  |  |
| Q1501             | 2SC4212/Z1/     | SI.TRANSISTOR   |  |  |
| △ Q1511           | 2SD2559-LB      | SI.TRANSISTOR   |  |  |
| Q1531             | 2SC2785/JH/-T   | SI.TRANSISTOR   |  |  |
| Q1532             | 2SA1037AK/QR/-X | SI.TRANSISTOR   |  |  |
| Q1541-42          | 2SA1037AK/QR/-X | SI.TRANSISTOR   |  |  |
| △ Q1543           | 2SD1408/OY/-LB  | SI.TRANSISTOR   |  |  |
| Q1700             | 2SC2412K/QR/-X  | SI.TRANSISTOR   |  |  |
| Q1701             | 2SA1037AK/QR/-X | SI.TRANSISTOR   |  |  |
| Q1703             | 2SA1037AK/QR/-X | SI.TRANSISTOR   |  |  |
| Q1706             | 2SC2412K/QR/-X  | SI.TRANSISTOR   |  |  |
| Q1711             | DTC124EKA-X     | DIGI.TRANSISTOR |  |  |
| Q1810             | DTC144EKA-X     | DIGI.TRANSISTOR |  |  |
| Q1941             | 2SC2412K/QR/-X  | SI.TRANSISTOR   |  |  |
| Q1951             | 2SD1383K/AB/-X  | SI.TRANSISTOR   |  |  |
| Q1971             | 2SA1208/ST/Z1-T | SI.TRANSISTOR   |  |  |

|           |                |                  |           |  |
|-----------|----------------|------------------|-----------|--|
| <b>IC</b> |                |                  |           |  |
| IC1101    | TB1253AN       | I.C.(M)          |           |  |
| △ IC1401  | LA7841         | I.C.(MONO-ANA)   |           |  |
| IC1701    | MN1876478JL1   | I.C.(MICRO-COMP) |           |  |
| IC1702    | AT24C04-32D502 | I.C.(MEMORY-OTH) | (SERVICE) |  |
| IC1703    | MM1437AF-X     | I.C.(MONO-ANA)   |           |  |
| IC1852    | AN7809F        | I.C.(MONO-ANA)   |           |  |
| IC1853    | AN7805F        | I.C.(MONO-ANA)   |           |  |
| IC1911    | STR-G6624/F8   | I.C.(HYBRID)     |           |  |
| △ IC1921  | SE135N         | I.C.(HYBRID)     |           |  |

|               |              |                |  |  |
|---------------|--------------|----------------|--|--|
| <b>OTHERS</b> |              |                |  |  |
| CF1001        | QAX0349-001  | CERAMIC FILTER |  |  |
| CF1021        | QAX0639-001Z | CERAMIC FILTER |  |  |
| CF1041        | QAX0642-001Z | CERAMIC FILTER |  |  |



## FRONT CONTROL PW BOARD ASS'Y (SAC-8506A-M2)

| △ Symbol No.  | Part No.        | Part Name        | Description | Local |
|---------------|-----------------|------------------|-------------|-------|
| <b>OTHERS</b> |                 |                  |             |       |
| △ CP1932-33   | ICP-N75-Y       | I.C.PROTECT      |             |       |
| △ CP1936      | ICP-N75-Y       | I.C.PROTECT      |             |       |
| △ F1905       | QMFZ034-5R0Z-J1 | FUSE             | 5A          |       |
| △ FR1521      | QRK126J-150X    | C R              | 15Ω 1/2W    | J     |
| △ FR1523-24   | QRX029J-3R3     | MF R             | 3.3Ω 2W     | J     |
| △ FR1525      | QRZ9017-4R7     | F R              | 4.7Ω 1/4W   | J     |
| △ J1601       | QNN0349-002     | PIN JACK         |             |       |
| J1810         | QNS0001-001     | JACK             |             |       |
| K1401         | QQR0621-002Z    | BEADS CORE       |             |       |
| K1912         | QQR0582-001Z    | BEADS CORE       |             |       |
| K1916-17      | QQR0582-001Z    | BEADS CORE       |             |       |
| K1931-33      | QQR0582-001Z    | BEADS CORE       |             |       |
| K1935         | QQR0582-001Z    | BEADS CORE       |             |       |
| K1937         | QQR0582-001Z    | BEADS CORE       |             |       |
| K1940         | QQR0582-001Z    | BEADS CORE       |             |       |
| K1941         | QQR0621-002Z    | BEADS CORE       |             |       |
| LC1601-03     | NQR0169-001X    | EMI FILTER       |             |       |
| △ PC1921      | TLP421F/D4-GR/  | I.C.(PH.COUPLER) |             |       |
| △ RY1941      | QSK0120-001     | RELAY            |             |       |
| △ RY1951      | QSK0113-001     | RELAY            |             |       |
| SF1011        | QAX0324-002     | SAW FILTER       |             |       |
| △ TH1901      | QADD0129-3R0    | P.THERMISTOR     |             |       |
| △ TU1001      | QAU0176-001     | TUNER            |             |       |
| X1201         | CE40668-001Z    | CRYSTAL          |             |       |
| X1700         | QAX0307-001     | CER.RESONATOR    |             |       |

## CRT SOCKET PW BOARD ASS'Y (SAC-3505A-M2)

| △ Symbol No.      | Part No.      | Part Name     | Description  | Local |
|-------------------|---------------|---------------|--------------|-------|
| <b>RESISTOR</b>   |               |               |              |       |
| R3354-56          | NRSA63J-221X  | MG R          | 220Ω 1/16W   | J     |
| R3357-59          | NRSA63J-101X  | MG R          | 100Ω 1/16W   | J     |
| R3360-62          | QRZ0111-152   | C R           | 1.5kΩ 1/2W   | K     |
| R3363-65          | QRG029J-103   | OM R          | 10kΩ 2W      | J     |
| R3366-68          | NRSA63J-182X  | MG R          | 1.8kΩ 1/16W  | J     |
| R3372-74          | NRSA63J-221X  | MG R          | 220Ω 1/16W   | J     |
| R3375-77          | NRSA63J-0R0X  | MG R          | 0.0Ω 1/16W   | J     |
| R3381             | QRE121J-394Y  | C R           | 390kΩ 1/2W   | J     |
| R3391             | NRSA63J-152X  | MG R          | 1.5kΩ 1/16W  | J     |
| R3392             | NRSA63J-392X  | MG R          | 3.9kΩ 1/16W  | J     |
| R3393-95          | NRSA63J-102X  | MG R          | 1kΩ 1/16W    | J     |
| <b>CAPACITOR</b>  |               |               |              |       |
| C3354-55          | NDC31HJ-331X  | C CAP.        | 330pF 50V    | J     |
| C3356             | NDC31HJ-391X  | C CAP.        | 390pF 50V    | J     |
| C3357             | QETN1CM-107Z  | E CAP.        | 100μF 16V    | M     |
| C3382             | QCZ0121-102   | C CAP.        | 1000pF 3000V | Z     |
| C3391             | QETN1AM-227Z  | E CAP.        | 220μF 10V    | M     |
| C3392             | NDC31HJ-101X  | C CAP.        | 100pF 50V    | J     |
| <b>COIL</b>       |               |               |              |       |
| L3381             | QQL244K-101Z  | PEAKING COIL  | 100μH        | K     |
| <b>DIODE</b>      |               |               |              |       |
| D3391             | 1SS133-T2     | SI.DIODE      |              |       |
| <b>TRANSISTOR</b> |               |               |              |       |
| Q3351-53          | 2SC4544-LB    | SI.TRANSISTOR |              |       |
| Q3391             | 2SA933AS/QR-T | SI.TRANSISTOR |              |       |
| <b>OTHERS</b>     |               |               |              |       |
| △ SK3351          | QNZ0464-001   | C.R.T.SOCKET  |              |       |

| △ Symbol No.    | Part No.     | Part Name | Description | Local |
|-----------------|--------------|-----------|-------------|-------|
| <b>RESISTOR</b> |              |           |             |       |
| R8702           | NRSA63J-472X | MG R      | 4.7kΩ 1/16W | J     |
| R8703           | NRSA63J-153X | MG R      | 15kΩ 1/16W  | J     |
| R8705           | NRSA63J-472X | MG R      | 4.7kΩ 1/16W | J     |
| R8706           | NRSA63J-153X | MG R      | 15kΩ 1/16W  | J     |
| R8707           | NRSA63J-222X | MG R      | 2.2kΩ 1/16W | J     |
| R8708           | NRSA63J-681X | MG R      | 680Ω 1/16W  | J     |
| R8709           | NRSA63J-561X | MG R      | 560Ω 1/16W  | J     |

**CAPACITOR**

|       |              |        |          |   |
|-------|--------------|--------|----------|---|
| C8701 | QETN1EM-476Z | E CAP. | 47μF 25V | M |
|-------|--------------|--------|----------|---|

**DIODE**

|       |        |             |  |  |
|-------|--------|-------------|--|--|
| D8701 | GL2PR6 | L.E.D.(RED) |  |  |
|-------|--------|-------------|--|--|

**TRANSISTOR**

|          |             |                 |  |  |
|----------|-------------|-----------------|--|--|
| Q8701-02 | DTA124EKA-X | DIGI.TRANSISTOR |  |  |
|----------|-------------|-----------------|--|--|

**IC**

|        |             |                 |  |  |
|--------|-------------|-----------------|--|--|
| IC8701 | PIC-28143SY | IFR DETECT UNIT |  |  |
|--------|-------------|-----------------|--|--|

**OTHERS**

|       |               |              |       |  |
|-------|---------------|--------------|-------|--|
| S8701 | CM46978-A01-H | L.E.D.HOLDER |       |  |
| S8702 | QSW0707-001Z  | TACT SWITCH  | POWER |  |
| S8703 | QSW0707-001Z  | TACT SWITCH  | MENU  |  |
| S8704 | QSW0707-001Z  | TACT SWITCH  | CH-   |  |
| S8705 | QSW0707-001Z  | TACT SWITCH  | CH+   |  |
| S8706 | QSW0707-001Z  | TACT SWITCH  | VOL-  |  |
| S8706 | QSW0707-001Z  | TACT SWITCH  | VOL+  |  |

## FRONT AV INPUT PW BOARD ASS'Y (SAC-8604A-M2)

| △ Symbol No.     | Part No.     | Part Name | Description | Local |
|------------------|--------------|-----------|-------------|-------|
| <b>RESISTOR</b>  |              |           |             |       |
| R8401            | NRSA63J-750X | MG R      | 75Ω 1/16W   | J     |
| R8402-03         | NRSA63J-224X | MG R      | 220kΩ 1/16W | J     |
| <b>CAPACITOR</b> |              |           |             |       |
| C8401            | QETN1HM-474Z | E CAP.    | 0.47μF 50V  | M     |
| C8402-03         | QETN1HM-105Z | E CAP.    | 1μF 50V     | M     |
| <b>OTHERS</b>    |              |           |             |       |
| J8401            | CEMN041-001  | PIN JACK  |             |       |
| LC8401           | QQR1199-001  | FILTER    |             |       |

## LF PW BOARD ASS'Y (SAC-9502A-M2)

| △ Symbol No.     | Part No.       | Part Name   | Description  | Local |
|------------------|----------------|-------------|--------------|-------|
| <b>RESISTOR</b>  |                |             |              |       |
| R9997            | QRE121J-5R6Y   | C R         | 5.6Ω 1/2W J  |       |
| △ R9998          | QRZ9041-275    | C R         | 2.7MΩ 1/2W K |       |
| <b>CAPACITOR</b> |                |             |              |       |
| △ C9901          | QFZ9067-104    | MM CAP.     | 0.1μF        |       |
| △ C9902          | QFZ9067-473    | MM CAP.     | 0.047μF      |       |
| △ C9904          | QCZ9052-102    | C CAP.      | 1000pF       |       |
| <b>OTHERS</b>    |                |             |              |       |
| △ CN90PW         | QMPD200-200-JC | POWER CORD  |              |       |
| △ F9901          | QMF0007-5R0J1  | FUSE        | 5A           |       |
| △ FC9901         | CEMG002-001Z   | FUSE CLIP   |              |       |
| △ LF9902         | QQR0527-003    | LINE FILTER |              |       |
| △ VA9901         | ERZV10V621CS   | VARIATOR    |              |       |

## AV SELECTOR PW BOARD ASS'Y (SAC0S510A-M2)

| △ Symbol No.    | Part No.     | Part Name | Description   | Local |
|-----------------|--------------|-----------|---------------|-------|
| <b>RESISTOR</b> |              |           |               |       |
| R0081           | NRSA63J-102X | MG R      | 1kΩ 1/16W J   |       |
| R0082           | NRSA63J-682X | MG R      | 6.8kΩ 1/16W J |       |
| R0083           | NRSA63J-153X | MG R      | 15kΩ 1/16W J  |       |
| R0084           | NRSA63J-683X | MG R      | 68kΩ 1/16W J  |       |
| R0085           | NRSA63J-332X | MG R      | 3.3kΩ 1/16W J |       |
| R0086           | NRSA63J-333X | MG R      | 33kΩ 1/16W J  |       |
| R0087           | NRSA63J-153X | MG R      | 15kΩ 1/16W J  |       |
| R0088           | NRSA63J-152X | MG R      | 1.5kΩ 1/16W J |       |
| R0089           | NRSA63J-562X | MG R      | 5.6kΩ 1/16W J |       |
| R0090           | NRSA63J-563X | MG R      | 56kΩ 1/16W J  |       |
| R0202           | NRSA63J-101X | MG R      | 100Ω 1/16W J  |       |
| R0210           | NRSA63J-0R0X | MG R      | 0.0Ω 1/16W J  |       |
| R0211           | NRSA63J-153X | MG R      | 15kΩ 1/16W J  |       |
| R0212           | NRSA63J-333X | MG R      | 33kΩ 1/16W J  |       |
| R0213           | NRSA63J-102X | MG R      | 1kΩ 1/16W J   |       |
| R0214           | NRSA63J-181X | MG R      | 180Ω 1/16W J  |       |
| R0215           | NRSA63J-152X | MG R      | 1.5kΩ 1/16W J |       |
| R0216           | NRSA63J-182X | MG R      | 1.8kΩ 1/16W J |       |
| R0217           | NRSA63J-102X | MG R      | 1kΩ 1/16W J   |       |
| R0218           | NRSA63J-222X | MG R      | 2.2kΩ 1/16W J |       |
| R0223           | NRSA63J-0R0X | MG R      | 0.0Ω 1/16W J  |       |
| R0229           | NRSA63J-473X | MG R      | 47kΩ 1/16W J  |       |
| R0230           | NRSA63J-223X | MG R      | 22kΩ 1/16W J  |       |
| R0231           | NRSA63J-101X | MG R      | 100Ω 1/16W J  |       |
| R0232           | NRSA63J-102X | MG R      | 1kΩ 1/16W J   |       |
| R0233           | NRSA63J-272X | MG R      | 2.7kΩ 1/16W J |       |
| R0234           | NRSA63J-102X | MG R      | 1kΩ 1/16W J   |       |
| R0235-36        | NRSA63J-101X | MG R      | 100Ω 1/16W J  |       |
| R0238           | NRSA63J-822X | MG R      | 8.2kΩ 1/16W J |       |
| R0239           | NRSA63J-123X | MG R      | 12kΩ 1/16W J  |       |
| R0241           | NRSA63J-821X | MG R      | 820Ω 1/16W J  |       |
| R0242           | NRSA63J-474X | MG R      | 470kΩ 1/16W J |       |
| R0243-44        | NRSA63J-103X | MG R      | 10kΩ 1/16W J  |       |
| R0247           | NRSA63J-101X | MG R      | 100Ω 1/16W J  |       |
| R0251           | NRSA63J-471X | MG R      | 470Ω 1/16W J  |       |
| R0253           | NRSA63J-681X | MG R      | 680Ω 1/16W J  |       |
| R0254           | NRSA63J-391X | MG R      | 390Ω 1/16W J  |       |
| R0255           | NRSA63J-681X | MG R      | 680Ω 1/16W J  |       |
| R0258           | NRSA63J-101X | MG R      | 100Ω 1/16W J  |       |
| R0259           | NRSA63J-222X | MG R      | 2.2kΩ 1/16W J |       |
| R0261           | NRSA63J-101X | MG R      | 100Ω 1/16W J  |       |
| R0262           | NRSA63J-222X | MG R      | 2.2kΩ 1/16W J |       |

| △ Symbol No.     | Part No.     | Part Name | Description   | Local |
|------------------|--------------|-----------|---------------|-------|
| <b>RESISTOR</b>  |              |           |               |       |
| R0263            | NRSA63J-471X | MG R      | 470Ω 1/16W J  |       |
| R0265            | NRSA63J-102X | MG R      | 1kΩ 1/16W J   |       |
| R0269            | NRSA63J-681X | MG R      | 680Ω 1/16W J  |       |
| R0270            | NRSA63J-102X | MG R      | 1kΩ 1/16W J   |       |
| R0301-02         | NRSA63J-222X | MG R      | 2.2kΩ 1/16W J |       |
| R0303-04         | NRSA63J-221X | MG R      | 220Ω 1/16W J  |       |
| R0305-06         | NRSA63J-0R0X | MG R      | 0.0Ω 1/16W J  |       |
| R0331-34         | NRSA63J-101X | MG R      | 100Ω 1/16W J  |       |
| R0371-74         | NRSA63J-103X | MG R      | 10kΩ 1/16W J  |       |
| R0375-76         | NRSA63J-333X | MG R      | 33kΩ 1/16W J  |       |
| R0377-78         | NRSA63J-472X | MG R      | 4.7kΩ 1/16W J |       |
| R0385            | NRSA63J-223X | MG R      | 22kΩ 1/16W J  |       |
| R0387            | NRSA63J-223X | MG R      | 22kΩ 1/16W J  |       |
| R0391-92         | NRSA63J-221X | MG R      | 220Ω 1/16W J  |       |
| R0393-94         | NRSA63J-823X | MG R      | 82kΩ 1/16W J  |       |
| R0395-96         | NRSA63J-221X | MG R      | 220Ω 1/16W J  |       |
| R0401            | NRSA63J-183X | MG R      | 18kΩ 1/16W J  |       |
| R0402            | NRSA63J-223X | MG R      | 22kΩ 1/16W J  |       |
| R0458            | NRSA63J-333X | MG R      | 33kΩ 1/16W J  |       |
| R0459            | NRSA63J-183X | MG R      | 18kΩ 1/16W J  |       |
| R0501-02         | NRSA63J-102X | MG R      | 1kΩ 1/16W J   |       |
| R0504-05         | NRSA63J-102X | MG R      | 1kΩ 1/16W J   |       |
| R0507-08         | NRSA63J-102X | MG R      | 1kΩ 1/16W J   |       |
| R0509            | NRSA63J-221X | MG R      | 220Ω 1/16W J  |       |
| R0518            | NRSA63J-333X | MG R      | 33kΩ 1/16W J  |       |
| R0519-21         | NRSA63J-750X | MG R      | 75Ω 1/16W J   |       |
| R0522-23         | NRSA63J-224X | MG R      | 220kΩ 1/16W J |       |
| R0528-29         | NRSA63J-0R0X | MG R      | 0.0Ω 1/16W J  |       |
| R0532-33         | NRSA63J-224X | MG R      | 220kΩ 1/16W J |       |
| R0558-61         | NRSA63J-0R0X | MG R      | 0.0Ω 1/16W J  |       |
| R0566-67         | NRSA63J-331X | MG R      | 330Ω 1/16W J  |       |
| R0571            | NRSA63J-101X | MG R      | 100Ω 1/16W J  |       |
| R0573            | NRSA63J-272X | MG R      | 2.7kΩ 1/16W J |       |
| R0574            | NRSA63J-0R0X | MG R      | 0.0Ω 1/16W J  |       |
| R0906            | NRSA63J-0R0X | MG R      | 0.0Ω 1/16W J  |       |
| <b>CAPACITOR</b> |              |           |               |       |
| C0081            | NCB21HK-104X | C CAP.    | 0.1μF 50V K   |       |
| C0082            | QENC1HM-475Z | BP E CAP. | 4.7μF 50V M   |       |
| C0083            | QENC1HM-105Z | BP E CAP. | 1μF 50V M     |       |
| C0084            | QETN1HM-225Z | E CAP.    | 2.2μF 50V M   |       |
| C0085            | NCB21HK-473X | C CAP.    | 0.047μF 50V K |       |
| C0086            | QETN1HM-474Z | E CAP.    | 0.47μF 50V M  |       |
| C0087-88         | NCB21HK-104X | C CAP.    | 0.1μF 50V K   |       |
| C0089            | QETN1HM-335Z | E CAP.    | 3.3μF 50V M   |       |
| C0090            | QETN1HM-105Z | E CAP.    | 1μF 50V M     |       |
| C0091            | QETN1HM-106Z | E CAP.    | 10μF 50V M    |       |
| C0092-93         | QETN1HM-105Z | E CAP.    | 1μF 50V M     |       |
| C0094            | QETN1HM-475Z | E CAP.    | 4.7μF 50V M   |       |
| C0095            | QETN1HM-105Z | E CAP.    | 1μF 50V M     |       |
| C0205            | QETN1HM-476Z | E CAP.    | 47μF 50V M    |       |
| C0206            | NCB31HK-103X | C CAP.    | 0.01μF 50V K  |       |
| C0211            | QENC1EM-106Z | BP E CAP. | 10μF 25V M    |       |
| C0212            | NDC31HJ-101X | C CAP.    | 100pF 50V J   |       |
| C0213            | NDC31HJ-470X | C CAP.    | 47pF 50V J    |       |
| C0214            | NDC31HJ-181X | C CAP.    | 180pF 50V J   |       |
| C0215            | QETN1HM-474Z | E CAP.    | 0.47μF 50V M  |       |
| C0223            | NCB31HK-103X | C CAP.    | 0.01μF 50V K  |       |
| C0226            | NCB31HK-103X | C CAP.    | 0.01μF 50V K  |       |
| C0231-33         | QETN1HM-106Z | E CAP.    | 10μF 50V M    |       |
| C0234            | NCB31HK-103X | C CAP.    | 0.01μF 50V K  |       |
| C0235            | QETN1HM-106Z | E CAP.    | 10μF 50V M    |       |
| C0236            | NCB31HK-103X | C CAP.    | 0.01μF 50V K  |       |
| C0237            | NCB31HK-472X | C CAP.    | 4700pF 50V K  |       |
| C0238-39         | NCB31HK-103X | C CAP.    | 0.01μF 50V K  |       |
| C0241-45         | NCB31HK-103X | C CAP.    | 0.01μF 50V K  |       |
| C0246            | NDC31HJ-181X | C CAP.    | 180pF 50V J   |       |
| C0247-49         | NCB31HK-103X | C CAP.    | 0.01μF 50V K  |       |
| C0251            | QETN1HM-476Z | E CAP.    | 47μF 50V M    |       |
| C0252            | NCB31HK-103X | C CAP.    | 0.01μF 50V K  |       |
| C0255            | NDC31HJ-390X | C CAP.    | 39pF 50V J    |       |

| △ Symbol No.      | Part No.        | Part Name       | Description | Local |
|-------------------|-----------------|-----------------|-------------|-------|
| <b>CAPACITOR</b>  |                 |                 |             |       |
| C0263             | NDC31HJ-150X    | C CAP.          | 15pF 50V    | J     |
| C0264             | QENC1HM-474Z    | BP E CAP.       | 0.47μF 50V  | M     |
| C0265             | NCB31HK-103X    | C CAP.          | 0.01μF 50V  | K     |
| C0309-10          | NCB31HK-102X    | C CAP.          | 1000pF 50V  | K     |
| C0311-12          | NRSA63J-0R0X    | MG R            | 0.0Ω 1/16W  | J     |
| C0331             | QETN1CM-107Z    | E CAP.          | 100μF 16V   | M     |
| C0332             | NCB31HK-103X    | C CAP.          | 0.01μF 50V  | K     |
| C0333             | QETN1EM-476Z    | E CAP.          | 47μF 25V    | M     |
| C0334             | NCB21HK-273X    | C CAP.          | 0.027μF 50V | K     |
| C0335             | QETN1HM-225Z    | E CAP.          | 2.2μF 50V   | M     |
| C0336             | NCB31HK-222X    | C CAP.          | 2200pF 50V  | K     |
| C0337             | NCB21HK-104X    | C CAP.          | 0.1μF 50V   | K     |
| C0338             | QETN1HM-225Z    | E CAP.          | 2.2μF 50V   | M     |
| C0339             | NCB31HK-222X    | C CAP.          | 2200pF 50V  | K     |
| C0340             | NCB21HK-104X    | C CAP.          | 0.1μF 50V   | K     |
| C0343             | QETN1HM-105Z    | E CAP.          | 1μF 50V     | M     |
| C0344-45          | QENC1HM-225Z    | BP E CAP.       | 2.2μF 50V   | M     |
| C0371-72          | QENC1HM-105Z    | BP E CAP.       | 1μF 50V     | M     |
| C0373             | QETN1EM-476Z    | E CAP.          | 47μF 25V    | M     |
| C0391-92          | QETN1HM-474Z    | E CAP.          | 0.47μF 50V  | M     |
| C0401             | QETN1CM-107Z    | E CAP.          | 100μF 16V   | M     |
| C0402-03          | NCF21CZ-105X    | C CAP.          | 1μF 16V     | Z     |
| C0404             | QFV71HJ-224Z    | MF CAP.         | 0.22μF 50V  | J     |
| C0407             | QETN1EM-108Z    | E CAP.          | 1000μF 25V  | M     |
| C0410-11          | QETN1EM-108Z    | E CAP.          | 1000μF 25V  | M     |
| C0412-13          | QETN1HM-105Z    | E CAP.          | 1μF 50V     | M     |
| C0501-02          | NCB31HK-103X    | C CAP.          | 0.01μF 50V  | K     |
| C0503             | QETN1HM-226Z    | E CAP.          | 22μF 50V    | M     |
| C0504             | QETN1EM-476Z    | E CAP.          | 47μF 25V    | M     |
| C0505             | QENC1HM-474Z    | BP E CAP.       | 0.47μF 50V  | M     |
| C0508             | QETN1HM-474Z    | E CAP.          | 0.47μF 50V  | M     |
| C0509             | NCB31HK-103X    | C CAP.          | 0.01μF 50V  | K     |
| C0511             | QETN1HM-474Z    | E CAP.          | 0.47μF 50V  | M     |
| C0512-13          | QETN1HM-105Z    | E CAP.          | 1μF 50V     | M     |
| C0520-21          | QETN1HM-105Z    | E CAP.          | 1μF 50V     | M     |
| C0531-32          | NCB31HK-103X    | C CAP.          | 0.01μF 50V  | K     |
| C0536-39          | NCB31HK-103X    | C CAP.          | 0.01μF 50V  | K     |
| <b>COIL</b>       |                 |                 |             |       |
| L0202             | QQL244K-150Z    | COIL            | 15μH        | K     |
| L0211             | QQL244K-4R7Z    | COIL            | 4.7μH       | K     |
| L0242-43          | QQL244K-4R7Z    | COIL            | 4.7μH       | K     |
| L0261             | QQL244K-150Z    | COIL            | 15μH        | K     |
| <b>DIODE</b>      |                 |                 |             |       |
| D0391-92          | MTZJ10C-T2      | ZENER DIODE     |             |       |
| D0501-02          | MTZJ10C-T2      | ZENER DIODE     |             |       |
| D0504             | MTZJ10C-T2      | ZENER DIODE     |             |       |
| D0509             | MTZJ10C-T2      | ZENER DIODE     |             |       |
| D0511             | MTZJ10C-T2      | ZENER DIODE     |             |       |
| D0515-19          | MTZJ10C-T2      | ZENER DIODE     |             |       |
| D0521             | MTZJ10C-T2      | ZENER DIODE     |             |       |
| <b>TRANSISTOR</b> |                 |                 |             |       |
| Q0211-12          | 2SC2412K/QR/-X  | SI.TRANSISTOR   |             |       |
| Q0218             | 2SC2412K/QR/-X  | SI.TRANSISTOR   |             |       |
| Q0219             | 2SA1037AK/QR/-X | SI.TRANSISTOR   |             |       |
| Q0251             | 2SC2412K/QR/-X  | SI.TRANSISTOR   |             |       |
| Q0252             | 2SA1037AK/QR/-X | SI.TRANSISTOR   |             |       |
| Q0253             | 2SC2412K/QR/-X  | SI.TRANSISTOR   |             |       |
| Q0261-62          | 2SC2412K/QR/-X  | SI.TRANSISTOR   |             |       |
| Q0263             | 2SA1037AK/QR/-X | SI.TRANSISTOR   |             |       |
| Q0301-02          | DTC124EKA-X     | DIGI.TRANSISTOR |             |       |
| Q0385             | DTC323TK-X      | DIGI.TRANSISTOR |             |       |
| Q0387             | DTC323TK-X      | DIGI.TRANSISTOR |             |       |
| Q0453             | 2SC2412K/QR/-X  | SI.TRANSISTOR   |             |       |
| Q0454             | DTC124EKA-X     | DIGI.TRANSISTOR |             |       |
| Q0509             | 2SC2412K/QR/-X  | SI.TRANSISTOR   |             |       |

| △ Symbol No.  | Part No.    | Part Name      | Description | Local |
|---------------|-------------|----------------|-------------|-------|
| <b>IC</b>     |             |                |             |       |
| IC0001        | UPC1851BCU  | I.C.(MONO-ANA) |             |       |
| IC0201        | TC90A53N    | I.C.(DIGI-MOS) |             |       |
| IC0371        | BA15218N    | I.C.(MONO-ANA) |             |       |
| IC0401        | LA4485      | I.C.(MONO-ANA) |             |       |
| IC0501        | CXA2089Q-X  | I.C.(MONO-ANA) |             |       |
| <b>OTHERS</b> |             |                |             |       |
| J0501         | QNZ0454-001 | PIN JACK       |             |       |
| J0502-03      | QNN0348-001 | PIN JACK       |             |       |

## REMOTE CONTROL UNIT PARTS LIST (RM-C306-1A)

| △ Ref.No. | Part No.    | Part Name     | Description | Local |
|-----------|-------------|---------------|-------------|-------|
|           | UR52EC1286A | BATTERY COVER |             |       |

## DIFFERENCE PARTS LIST BETWEEN AV-36230/H AND AV-36230/R

The picture tubes used for the models AV-36230/H and AV-36230/R are difference. The electrical parts are also difference according to the PICTURE TUBE.

In the DIFFERENCE PARTS LIST BETWEEN AV-36230/H and AV-36230/R, only difference points between these models are written. For other parts not mentioned in the list, please refer to the PARTS LIST(P40 – P45) for the AV-36230/H.

## DIFFERENCE PARTS LIST

### MAIN PWB

| ⚠ | Symbol No. | Part No.                          |                                  | Part Name       |
|---|------------|-----------------------------------|----------------------------------|-----------------|
|   |            | AV-36230/H                        | AV-36230/R                       |                 |
|   |            | <b>SAC-1540A-M2</b>               | <b>SAC-1539A-M2</b>              | <b>MAIN PWB</b> |
|   | R1776      | NRSA63J-272X<br>(2.7kΩ, 1/16W, J) | NRSA63J-123X<br>(12kΩ, 1/16W, J) | C R             |
| ⚠ | C1515      | QFZ0197-564<br>(0.56μF, 250V, J)  | QFZ0197-624<br>(0.62μF, 250V, J) | MPP CAP.        |

### CRT SOCKET PWB

| ⚠ | Symbol No. | Part No.            |                     | Part Name             |
|---|------------|---------------------|---------------------|-----------------------|
|   |            | AV-36230/H          | AV-36230/R          |                       |
|   |            | <b>SAC-3505A-M2</b> | <b>SAC-3504A-M2</b> | <b>CRT SOCKET PWB</b> |

### CRT SOCKET PW BOARD ASS'Y (SAC-3504A-M2)

| ⚠                 | Symbol No. | Part No.      | Part Name     | Description    | Local |
|-------------------|------------|---------------|---------------|----------------|-------|
| <b>RESISTOR</b>   |            |               |               |                |       |
|                   | R3354-56   | NRSA63J-221X  | MG R          | 220Ω 1/16W J   |       |
|                   | R3357-59   | NRSA63J-101X  | MG R          | 100Ω 1/16W J   |       |
|                   | R3360-62   | QRZ0111-152   | C R           | 1.5kΩ 1/2W K   |       |
|                   | R3363-65   | QRG029J-103   | OM R          | 10kΩ 2W J      |       |
|                   | R3366-68   | NRSA63J-182X  | MG R          | 1.8kΩ 1/16W J  |       |
|                   | R3372-74   | NRSA63J-221X  | MG R          | 220Ω 1/16W J   |       |
|                   | R3375-77   | NRSA63J-0R0X  | MG R          | 0.0Ω 1/16W J   |       |
|                   | R3381      | QRE121J-394Y  | C R           | 390kΩ 1/2W J   |       |
|                   | R3391      | NRSA63J-152X  | MG R          | 1.5kΩ 1/16W J  |       |
|                   | R3392      | NRSA63J-392X  | MG R          | 3.9kΩ 1/16W J  |       |
|                   | R3393-95   | NRSA63J-102X  | MG R          | 1kΩ 1/16W J    |       |
| <b>CAPACITOR</b>  |            |               |               |                |       |
|                   | C3354-55   | NDC31HJ-331X  | C CAP.        | 330pF 50V J    |       |
|                   | C3356      | NDC31HJ-391X  | C CAP.        | 390pF 50V J    |       |
|                   | C3357      | QETN1CM-107Z  | E CAP.        | 100μF 16V M    |       |
|                   | C3382      | QCZ0121-102   | C CAP.        | 1000pF 3000V Z |       |
|                   | C3391      | QETN1AM-227Z  | E CAP.        | 220μF 10V M    |       |
|                   | C3392      | NDC31HJ-101X  | C CAP.        | 100pF 50V J    |       |
| <b>COIL</b>       |            |               |               |                |       |
|                   | L3381      | QQL244K-101Z  | PEAKING COIL  | 100μH          | K     |
| <b>DIODE</b>      |            |               |               |                |       |
|                   | D3391      | 1SS133-T2     | SI.DIODE      |                |       |
| <b>TRANSISTOR</b> |            |               |               |                |       |
|                   | Q3351-53   | 2SC4544-LB    | SI.TRANSISTOR |                |       |
|                   | Q3391      | 2SA933AS/QR/T | SI.TRANSISTOR |                |       |
| <b>OTHERS</b>     |            |               |               |                |       |
| ⚠                 | SK3351     | QNZ0464-001   | C.R.T.SOCKET  |                |       |

# PRINTED WIRING BOARD PARTS LIST (AV-36260/R)

## MAIN PW BOARD ASS'Y (SAC-1533A-M2)

| △               | Symbol No. | Part No.     | Part Name | Description   | Local | △               | Symbol No. | Part No.      | Part Name   | Description      | Local    |  |
|-----------------|------------|--------------|-----------|---------------|-------|-----------------|------------|---------------|-------------|------------------|----------|--|
| <b>RESISTOR</b> |            |              |           |               |       | <b>RESISTOR</b> |            |               |             |                  |          |  |
|                 | R1001      | NRSA63J-473X | MG R      | 47kΩ 1/16W J  |       |                 | R1522      | NRSA63J-561X  | MG R        | 560Ω 1/16W J     |          |  |
|                 | R1002      | NRSA63J-102X | MG R      | 1kΩ 1/16W J   |       |                 | R1523      | QRJ146J-333X  | C R         | 33kΩ 1/4W J      |          |  |
|                 | R1003-04   | NRSA63J-0R0X | MG R      | 0.0Ω 1/16W J  |       | △               | R1525      | QRZ9011-470   | F R         | 47Ω 1/2W J       |          |  |
|                 | R1011      | NRSA63J-820X | MG R      | 82Ω 1/16W J   |       |                 | R1526      | QRE121J-272Y  | C R         | 2.7kΩ 1/2W J     |          |  |
|                 | R1012      | NRSA63J-182X | MG R      | 1.8kΩ 1/16W J |       |                 | R1527-28   | QRE121J-154Y  | C R         | 150kΩ 1/2W J     |          |  |
|                 | R1013      | NRSA63J-562X | MG R      | 5.6kΩ 1/16W J |       |                 | R1529      | NRSA63J-331X  | MG R        | 330Ω 1/16W J     |          |  |
|                 | R1014      | QRE121J-101Y | C R       | 100Ω 1/2W J   |       | △               | R1531      | QRJ146J-391X  | C R         | 390Ω 1/4W J      |          |  |
|                 | R1015      | NRSA63J-180X | MG R      | 18Ω 1/16W J   |       |                 | R1532      | NRSA63J-273X  | MG R        | 27kΩ 1/16W J     |          |  |
|                 | R1016      | NRSA63J-270X | MG R      | 27Ω 1/16W J   |       |                 | R1533-34   | NRSA63J-123X  | MG R        | 12kΩ 1/16W J     |          |  |
|                 | R1018      | NRSA63J-104X | MG R      | 100kΩ 1/16W J |       | △               | R1535      | NRVA02D-242X  | MF R        | 2.4kΩ 1/10W±0.5% |          |  |
|                 | R1020      | NRSA63J-332X | MG R      | 3.3kΩ 1/16W J |       | △               | R1537      | NRZ0032-7151X | MF R        | 7.15kΩ           |          |  |
|                 | R1021      | NRSA63J-123X | MG R      | 12kΩ 1/16W J  |       |                 | R1538      | NRSA63J-333X  | MG R        | 33kΩ 1/16W J     |          |  |
|                 | R1022      | NRSA63J-151X | MG R      | 150Ω 1/16W J  |       |                 | R1543      | QRE121J-122Y  | C R         | 1.2kΩ 1/2W J     |          |  |
|                 | R1023      | NRSA63J-101X | MG R      | 100Ω 1/16W J  |       |                 | R1544      | QRE121J-392Y  | C R         | 3.9kΩ 1/2W J     |          |  |
|                 | R1024      | NRSA63J-102X | MG R      | 1kΩ 1/16W J   |       |                 | R1545      | QRE121J-822Y  | C R         | 8.2kΩ 1/2W J     |          |  |
|                 | R1025      | NRSA63J-561X | MG R      | 560Ω 1/16W J  |       |                 | R1546      | NRSA63J-331X  | MG R        | 330Ω 1/16W J     |          |  |
|                 | R1026      | NRSA63J-331X | MG R      | 330Ω 1/16W J  |       |                 | R1547      | NRSA63J-104X  | MG R        | 100kΩ 1/16W J    |          |  |
|                 | R1028      | NRSA63J-821X | MG R      | 820Ω 1/16W J  |       |                 | R1548      | QRE121J-152Y  | C R         | 1.5kΩ 1/2W J     |          |  |
|                 | R1038      | NRSA63J-272X | MG R      | 2.7kΩ 1/16W J |       |                 | R1553      | QRL039J-180   | OM R        | 18Ω 3W J         |          |  |
|                 | R1039-40   | NRSA63J-0R0X | MG R      | 0.0Ω 1/16W J  |       |                 | R1601-03   | NRSA63J-750X  | MG R        | 75Ω 1/16W J      |          |  |
|                 | R1041      | NRSA63J-272X | MG R      | 2.7kΩ 1/16W J |       |                 | R1610-12   | NRSA63J-221X  | MG R        | 220Ω 1/16W J     |          |  |
|                 | R1042-43   | NRSA63J-102X | MG R      | 1kΩ 1/16W J   |       |                 | R1700-02   | NRSA63J-102X  | MG R        | 1kΩ 1/16W J      |          |  |
|                 | R1045-46   | NRSA63J-0R0X | MG R      | 0.0Ω 1/16W J  |       |                 | R1704-05   | NRSA63J-472X  | MG R        | 4.7kΩ 1/16W J    |          |  |
|                 | R1047      | NRSA63J-153X | MG R      | 15kΩ 1/16W J  |       |                 | R1706-07   | NRSA63J-103X  | MG R        | 10kΩ 1/16W J     |          |  |
|                 | R1048      | NRSA63J-154X | MG R      | 150kΩ 1/16W J |       |                 | R1708-09   | NRSA63J-101X  | MG R        | 100Ω 1/16W J     |          |  |
|                 | R1101-02   | NRSA63J-101X | MG R      | 100Ω 1/16W J  |       |                 | R1714      | NRSA63J-102X  | MG R        | 1kΩ 1/16W J      |          |  |
|                 | R1111      | NRSA63J-105X | MG R      | 1MΩ 1/16W J   |       |                 | R1715      | NRSA63J-103X  | MG R        | 10kΩ 1/16W J     |          |  |
|                 | R1131      | NRSA63J-272X | MG R      | 2.7kΩ 1/16W J |       |                 | R1721-22   | NRSA63J-102X  | MG R        | 1kΩ 1/16W J      |          |  |
|                 | R1134      | NRSA63J-562X | MG R      | 5.6kΩ 1/16W J |       |                 | R1724      | NRSA63J-102X  | MG R        | 1kΩ 1/16W J      |          |  |
|                 | R1135      | NRSA63J-102X | MG R      | 1kΩ 1/16W J   |       |                 | R1726-28   | NRSA63J-102X  | MG R        | 1kΩ 1/16W J      |          |  |
|                 | R1140      | NRSA63J-562X | MG R      | 5.6kΩ 1/16W J |       |                 | R1729      | NRSA63J-223X  | MG R        | 22kΩ 1/16W J     |          |  |
|                 | R1141      | NRSA63J-0R0X | MG R      | 0.0Ω 1/16W J  |       |                 | R1731-32   | NRSA63J-101X  | MG R        | 100Ω 1/16W J     |          |  |
|                 | R1201      | NRSA63J-333X | MG R      | 33kΩ 1/16W J  |       |                 | R1733-34   | NRSA63J-272X  | MG R        | 2.7kΩ 1/16W J    |          |  |
|                 | R1231      | NRSA63J-182X | MG R      | 1.8kΩ 1/16W J |       |                 | R1737      | NRSA63J-222X  | MG R        | 2.2kΩ 1/16W J    |          |  |
|                 | R1237      | NRSA63J-392X | MG R      | 3.9kΩ 1/16W J |       |                 | R1738      | NRSA63J-102X  | MG R        | 1kΩ 1/16W J      |          |  |
|                 | R1238      | NRSA63J-473X | MG R      | 47kΩ 1/16W J  |       |                 | R1739      | NRSA63J-272X  | MG R        | 2.7kΩ 1/16W J    |          |  |
|                 | R1241      | NRSA63J-332X | MG R      | 3.3kΩ 1/16W J |       |                 | R1740      | NRSA63J-103X  | MG R        | 10kΩ 1/16W J     |          |  |
|                 | R1243      | NRSA63J-152X | MG R      | 1.5kΩ 1/16W J |       |                 | R1741      | NRSA63J-0R0X  | MG R        | 0.0Ω 1/16W J     |          |  |
|                 | R1281      | NRSA63J-182X | MG R      | 1.8kΩ 1/16W J |       |                 | R1742-43   | NRSA63J-103X  | MG R        | 10kΩ 1/16W J     |          |  |
|                 | R1282      | NRSA63J-392X | MG R      | 3.9kΩ 1/16W J |       |                 | R1748      | NRSA63J-103X  | MG R        | 10kΩ 1/16W J     |          |  |
|                 | R1283      | NRSA63J-681X | MG R      | 680Ω 1/16W J  |       |                 | R1749-51   | NRSA63J-222X  | MG R        | 2.2kΩ 1/16W J    |          |  |
|                 | R1286      | NRSA63J-472X | MG R      | 4.7kΩ 1/16W J |       |                 | R1752      | NRSA63J-102X  | MG R        | 1kΩ 1/16W J      |          |  |
|                 | R1287      | NRSA63J-101X | MG R      | 100Ω 1/16W J  |       |                 | R1753      | NRSA63J-0R0X  | MG R        | 0.0Ω 1/16W J     |          |  |
|                 | R1288      | NRSA02J-471X | MG R      | 470Ω 1/10W J  |       |                 | R1754      | NRSA63J-102X  | MG R        | 1kΩ 1/16W J      |          |  |
|                 | R1289      | NRSA63J-154X | MG R      | 150kΩ 1/16W J |       |                 | R1755      | NRSA63J-153X  | MG R        | 15kΩ 1/16W J     |          |  |
|                 | R1290      | NRSA02J-561X | MG R      | 560Ω 1/10W J  |       |                 | R1756      | NRSA63J-103X  | MG R        | 10kΩ 1/16W J     |          |  |
|                 | R1291      | NRSA63J-103X | MG R      | 10kΩ 1/16W J  |       |                 | R1764-68   | NRSA63J-221X  | MG R        | 220Ω 1/16W J     |          |  |
|                 | R1292      | NRSA63J-123X | MG R      | 12kΩ 1/16W J  |       |                 | R1769-70   | NRSA63J-682X  | MG R        | 6.8kΩ 1/16W J    |          |  |
|                 | R1301-03   | NRSA63J-222X | MG R      | 2.2kΩ 1/16W J |       |                 | R1772      | NRSA63J-103X  | MG R        | 10kΩ 1/16W J     |          |  |
|                 | R1304-06   | NRSA63J-101X | MG R      | 100Ω 1/16W J  |       |                 | R1774      | NRSA63J-682X  | MG R        | 6.8kΩ 1/16W J    |          |  |
|                 | R1354-55   | NRSA63J-0R0X | MG R      | 0.0Ω 1/16W J  |       |                 | R1775      | NRSA63J-473X  | MG R        | 47kΩ 1/16W J     |          |  |
|                 | R1356      | NRSA63J-123X | MG R      | 12kΩ 1/16W J  |       |                 | R1776      | NRSA63J-123X  | MG R        | 12kΩ 1/16W J     |          |  |
|                 | R1359      | NRSA63J-103X | MG R      | 10kΩ 1/16W J  |       |                 | R1777      | NRSA63J-103X  | MG R        | 10kΩ 1/16W J     |          |  |
|                 | R1360      | NRSA63J-0R0X | MG R      | 0.0Ω 1/16W J  |       |                 | R1793-95   | NRSA63J-331X  | MG R        | 330Ω 1/16W J     |          |  |
|                 | R1401      | NRSA63J-822X | MG R      | 8.2kΩ 1/16W J |       |                 | R1798-99   | NRSA63J-103X  | MG R        | 10kΩ 1/16W J     |          |  |
|                 | R1403      | QRX01GJ-1R0  | MF R      | 1.0Ω 1W J     |       |                 | R1800      | NRSA63J-103X  | MG R        | 10kΩ 1/16W J     |          |  |
|                 | R1404      | QRE121J-100Y | C R       | 10Ω 1/2W J    |       |                 | R1806      | NRSA63J-102X  | MG R        | 1kΩ 1/16W J      |          |  |
|                 | R1405      | NRSA63J-103X | MG R      | 10kΩ 1/16W J  |       |                 | R1807      | NRSA63J-222X  | MG R        | 2.2kΩ 1/16W J    |          |  |
|                 | R1407      | NRSA02J-0R0X | MG R      | 0.0Ω 1/10W J  |       |                 | R1810      | NRSA63J-0R0X  | MG R        | 0.0Ω 1/16W J     |          |  |
|                 | R1411-12   | NRSA63J-103X | MG R      | 10kΩ 1/16W J  |       |                 | R1811      | NRSA63J-473X  | MG R        | 47kΩ 1/16W J     |          |  |
|                 | R1414      | QRL029J-221  | OM R      | 220Ω 2W J     |       |                 | R1812      | NRSA63J-102X  | MG R        | 1kΩ 1/16W J      |          |  |
|                 | R1431      | QRE121J-272Y | C R       | 2.7kΩ 1/2W J  |       |                 | R1814      | NRSA63J-104X  | MG R        | 100kΩ 1/16W J    |          |  |
|                 | R1432      | NRSA63J-104X | MG R      | 100kΩ 1/16W J |       |                 | R1815      | NRSA63J-154X  | MG R        | 150kΩ 1/16W J    |          |  |
|                 | R1433      | NRSA63J-473X | MG R      | 47kΩ 1/16W J  |       |                 | R1816      | NRSA63J-0R0X  | MG R        | 0.0Ω 1/16W J     |          |  |
|                 | R1434      | NRSA63J-822X | MG R      | 8.2kΩ 1/16W J |       |                 | R1817      | NRSA63J-104X  | MG R        | 100kΩ 1/16W J    |          |  |
|                 | R1435      | NRSA63J-103X | MG R      | 10kΩ 1/16W J  |       |                 | R1818      | NRSA63J-0R0X  | MG R        | 0.0Ω 1/16W J     |          |  |
|                 | R1501      | NRSA63J-0R0X | MG R      | 0.0Ω 1/16W J  |       |                 | R1821      | NRSA63J-104X  | MG R        | 100kΩ 1/16W J    |          |  |
|                 | R1502      | NRSA63J-271X | MG R      | 270Ω 1/16W J  |       |                 | R1824      | NRSA63J-103X  | MG R        | 10kΩ 1/16W J     |          |  |
|                 | R1503      | QRE121J-103Y | C R       | 10kΩ 1/2W J   |       |                 | R1827      | NRSA63J-102X  | MG R        | 1kΩ 1/16W J      |          |  |
|                 | R1504-05   | QRL039J-152  | OM R      | 1.5kΩ 3W J    |       |                 | △          | R1857         | QRL029J-270 | OM R             | 27Ω 2W J |  |
|                 | R1511      | QRE121J-220Y | C R       | 22Ω 1/2W J    |       |                 | △          | R1858         | QRG01GJ-270 | OM R             | 27Ω 1W J |  |
|                 | R1512      | QRE121J-681Y | C R       | 680Ω 1/2W J   |       |                 | R1860      | NRSA63J-562X  | MG R        | 5.6kΩ 1/16W J    |          |  |

| △ Symbol No.    | Part No.     | Part Name | Description | Local |
|-----------------|--------------|-----------|-------------|-------|
| <b>RESISTOR</b> |              |           |             |       |
| △ R1901         | QRF074K-R47  | UNF R     | 0.47Ω 7W    | K     |
| △ R1909         | QRG01GJ-470  | OM R      | 47Ω 1W      | J     |
| R1911           | QRE121J-223Y | C R       | 22kΩ 1/2W   | J     |
| R1912-13        | QRT029J-R22  | MF R      | 0.22Ω 2W    | J     |
| R1914           | QRK126J-681X | C R       | 680Ω 1/2W   | J     |
| R1915           | QRE121J-270Y | C R       | 27Ω 1/2W    | J     |
| R1917           | QRK126J-332X | C R       | 3.3kΩ 1/2W  | J     |
| R1918           | QRE121J-222Y | C R       | 2.2kΩ 1/2W  | J     |
| R1919           | QRE121J-684Y | C R       | 680kΩ 1/2W  | J     |
| R1924           | QRE121J-222Y | C R       | 2.2kΩ 1/2W  | J     |
| R1930           | QRE121J-223Y | C R       | 22kΩ 1/2W   | J     |
| R1939           | QRT039J-2R2  | MF R      | 2.2Ω 3W     | J     |
| R1940           | QRE121J-181Y | C R       | 180Ω 1/2W   | J     |
| R1941           | QRL029J-183  | OM R      | 18kΩ 2W     | J     |
| R1943           | NRSA63J-104X | MG R      | 100kΩ 1/16W | J     |
| R1944           | NRSA63J-122X | MG R      | 1.2kΩ 1/16W | J     |
| R1951           | NRSA63J-473X | MG R      | 47kΩ 1/16W  | J     |
| R1952           | NRSA63J-102X | MG R      | 1kΩ 1/16W   | J     |
| R1953           | QRE121J-151Y | C R       | 150Ω 1/2W   | J     |
| R1973           | QRE121J-272Y | C R       | 2.7kΩ 1/2W  | J     |
| R1975           | QRE121J-223Y | C R       | 22kΩ 1/2W   | J     |
| R1977           | QRE121J-473Y | C R       | 47kΩ 1/2W   | J     |
| R1978           | NRSA63J-333X | MG R      | 33kΩ 1/16W  | J     |
| R1979-80        | QRT029J-1R2  | MF R      | 1.2Ω 2W     | J     |

| <b>CAPACITOR</b> |              |           |             |   |
|------------------|--------------|-----------|-------------|---|
| C1001            | QETN1HM-475Z | E CAP.    | 4.7μF 50V   | M |
| C1002            | QETN1HM-106Z | E CAP.    | 10μF 50V    | M |
| C1003            | QETN1CM-108Z | E CAP.    | 1000μF 16V  | M |
| C1011-12         | NCB31HK-103X | C CAP.    | 0.01μF 50V  | K |
| C1014            | QETN1CM-107Z | E CAP.    | 100μF 16V   | M |
| C1015-16         | NCB31HK-103X | C CAP.    | 0.01μF 50V  | K |
| C1021            | QFV71HJ-824Z | MF CAP.   | 0.82μF 50V  | J |
| C1023            | QETN1CM-107Z | E CAP.    | 100μF 16V   | M |
| C1024            | NCB31HK-103X | C CAP.    | 0.01μF 50V  | K |
| C1025            | NCB31HK-102X | C CAP.    | 1000pF 50V  | K |
| C1026            | QETN1HM-474Z | E CAP.    | 0.47μF 50V  | M |
| C1027            | NCB21HK-104X | C CAP.    | 0.1μF 50V   | K |
| C1028            | QETN1HM-106Z | E CAP.    | 10μF 50V    | M |
| C1030            | NCB31HK-103X | C CAP.    | 0.01μF 50V  | K |
| C1034            | NCB31HK-103X | C CAP.    | 0.01μF 50V  | K |
| C1036            | QETN1AM-477Z | E CAP.    | 470μF 10V   | M |
| C1037            | NCB31HK-103X | C CAP.    | 0.01μF 50V  | K |
| C1038            | QETN1CM-107Z | E CAP.    | 100μF 16V   | M |
| C1041-42         | QETN1HM-106Z | E CAP.    | 10μF 50V    | M |
| C1043-44         | NDC31HJ-470X | C CAP.    | 47pF 50V    | J |
| C1045            | QETN1HM-106Z | E CAP.    | 10μF 50V    | M |
| C1046            | NCB31HK-103X | C CAP.    | 0.01μF 50V  | K |
| C1047            | NDC21HJ-330X | C CAP.    | 33pF 50V    | J |
| C1048            | NCB31HK-103X | C CAP.    | 0.01μF 50V  | K |
| C1111            | QETN0JM-228Z | E CAP.    | 2200μF 6.3V | M |
| C1112            | NCB31HK-103X | C CAP.    | 0.01μF 50V  | K |
| C1113            | QETN1HM-474Z | E CAP.    | 0.47μF 50V  | M |
| C1114            | QETN1HM-105Z | E CAP.    | 1μF 50V     | M |
| C1115            | QFV71HJ-104Z | MF CAP.   | 0.1μF 50V   | J |
| C1116            | NCB21HK-104X | C CAP.    | 0.1μF 50V   | K |
| C1131            | NDC31HJ-470X | C CAP.    | 47pF 50V    | J |
| C1136            | QENC1CM-106Z | BP E CAP. | 10μF 16V    | M |
| C1151            | NCB31HK-103X | C CAP.    | 0.01μF 50V  | K |
| C1152            | QENC1HM-105Z | BP E CAP. | 1μF 50V     | M |
| C1201            | NDC31HJ-100X | C CAP.    | 10pF 50V    | J |
| C1202            | QETN1HM-224Z | E CAP.    | 0.22μF 50V  | M |
| C1203            | NCB31HK-222X | C CAP.    | 2200pF 50V  | K |
| C1233            | NDC31HJ-560X | C CAP.    | 56pF 50V    | J |
| C1237            | NCB31HK-103X | C CAP.    | 0.01μF 50V  | K |
| C1281            | QFV71HJ-474Z | MF CAP.   | 0.47μF 50V  | J |
| C1282            | QETN1CM-227Z | E CAP.    | 220μF 16V   | M |
| C1283            | NCB31HK-103X | C CAP.    | 0.01μF 50V  | K |
| C1284            | QETN1HM-225Z | E CAP.    | 2.2μF 50V   | M |
| C1285            | NCB31HK-103X | C CAP.    | 0.01μF 50V  | K |
| C1286            | QETN1HM-106Z | E CAP.    | 10μF 50V    | M |
| C1287            | QETN1CM-107Z | E CAP.    | 100μF 16V   | M |

| △ Symbol No.     | Part No.      | Part Name | Description       | Local |
|------------------|---------------|-----------|-------------------|-------|
| <b>CAPACITOR</b> |               |           |                   |       |
| C1288            | NCB31HK-103X  | C CAP.    | 0.01μF 50V        | K     |
| C1352            | QETN1CM-336Z  | E CAP.    | 33μF 16V          | M     |
| C1354            | QFV71HJ-154Z  | MF CAP.   | 0.15μF 50V        | J     |
| C1391            | QETN1CM-107Z  | E CAP.    | 100μF 16V         | M     |
| C1392            | NCB31HK-103X  | C CAP.    | 0.01μF 50V        | K     |
| C1393-95         | NCB21HK-104X  | C CAP.    | 0.1μF 50V         | K     |
| C1401            | NDC21HJ-152X  | C CAP.    | 1500pF 50V        | J     |
| C1403            | NCB21HK-273X  | C CAP.    | 0.027μF 50V       | K     |
| C1404            | QETN1VM-107Z  | E CAP.    | 100μF 35V         | M     |
| C1405            | QCS32HJ-100Z  | C CAP.    | 10pF 500V         | J     |
| C1407            | QFLC2AK-563Z  | M CAP.    | 0.056μF 100V      | K     |
| C1410            | QFLC2AJ-104Z  | M CAP.    | 0.1μF 100V        | J     |
| C1411            | QETN1HM-105Z  | E CAP.    | 1μF 50V           | M     |
| C1415            | NCB21HK-104X  | C CAP.    | 0.1μF 50V         | K     |
| C1421            | QEHQ1VM-108   | E CAP.    | 1000μF 35V        | M     |
| C1431            | QETN1HM-105Z  | E CAP.    | 1μF 50V           | M     |
| C1432            | QETN1EM-476Z  | E CAP.    | 47μF 25V          | M     |
| C1501            | QCB32HK-151Z  | C CAP.    | 150pF 500V        | K     |
| C1502            | QCB32HK-331Z  | C CAP.    | 330pF 500V        | K     |
| C1503            | QEHHR2CM-105Z | E CAP.    | 1μF 160V          | M     |
| C1504            | QEZ0203-107   | E CAP.    | 100μF 160V        | M     |
| C1507-08         | QEM61HK-475Z  | E CAP.    | 4.7μF 50V         | K     |
| △ C1510          | QFZ0196-502   | MPP CAP.  | 5000pF 1.5kVH±3%  |       |
| △ C1513          | QFZ0198-133   | MPP CAP.  | 0.013μF 1.5kVH±3% |       |
| △ C1514          | QFP32GJ-183   | PP CAP.   | 0.018μF 400V      | J     |
| △ C1515          | QFZ0197-624   | MPP CAP.  | 0.62μF 250V       | J     |
| C1516            | QCB32HK-561Z  | C CAP.    | 560pF 500V        | K     |
| C1521            | QETN2EM-106Z  | E CAP.    | 10μF 250V         | M     |
| C1523            | QEHHR1EM-108Z | E CAP.    | 1000μF 25V        | M     |
| C1524            | QETN1EM-108Z  | E CAP.    | 1000μF 25V        | M     |
| C1525            | QETN1VM-107Z  | E CAP.    | 100μF 35V         | M     |
| C1526            | QFV21HJ-824Z  | MF CAP.   | 0.82μF 50V        | J     |
| C1527            | QFLC2AJ-103Z  | M CAP.    | 0.01μF 100V       | J     |
| C1531            | QCB32HK-102Z  | C CAP.    | 1000pF 500V       | K     |
| C1533            | QETN1HM-106Z  | E CAP.    | 10μF 50V          | M     |
| C1601-03         | QETN1EM-476Z  | E CAP.    | 47μF 25V          | M     |
| C1609-11         | QFV71HJ-104Z  | MF CAP.   | 0.1μF 50V         | J     |
| C1612            | QETN1HM-105Z  | E CAP.    | 1μF 50V           | M     |
| C1700            | NCB31HK-102X  | C CAP.    | 1000pF 50V        | K     |
| C1703            | NDC31HJ-181X  | C CAP.    | 180pF 50V         | J     |
| C1706            | QETN1HM-105Z  | E CAP.    | 1μF 50V           | M     |
| C1707            | QETN1CM-107Z  | E CAP.    | 100μF 16V         | M     |
| C1710            | NCB21EK-683X  | C CAP.    | 0.068μF 25V       | K     |
| C1721            | NCB31HK-103X  | C CAP.    | 0.01μF 50V        | K     |
| C1722-23         | NDC31HJ-390X  | C CAP.    | 39pF 50V          | J     |
| C1724            | NDC31HJ-471X  | C CAP.    | 470pF 50V         | J     |
| C1726            | NDC21HJ-561X  | C CAP.    | 560pF 50V         | J     |
| C1800            | QETN1CM-107Z  | E CAP.    | 100μF 16V         | M     |
| C1801            | NCB21HK-104X  | C CAP.    | 0.1μF 50V         | K     |
| C1802            | QETN1CM-107Z  | E CAP.    | 100μF 16V         | M     |
| C1803            | QETN1HM-106Z  | E CAP.    | 10μF 50V          | M     |
| C1804            | NDC31HJ-102X  | C CAP.    | 1000pF 50V        | J     |
| C1805            | NCB31HK-153X  | C CAP.    | 0.015μF 50V       | K     |
| C1806-07         | QETN1HM-106Z  | E CAP.    | 10μF 50V          | M     |
| C1810            | QETN1HM-474Z  | E CAP.    | 0.47μF 50V        | M     |
| C1811            | QETN1HM-105Z  | E CAP.    | 1μF 50V           | M     |
| C1813            | NCB31HK-102X  | C CAP.    | 1000pF 50V        | K     |
| C1816            | NCB31HK-153X  | C CAP.    | 0.015μF 50V       | K     |
| C1853-54         | QETN1CM-227Z  | E CAP.    | 220μF 16V         | M     |
| C1856            | QETN1CM-227Z  | E CAP.    | 220μF 16V         | M     |
| C1857            | QETN1CM-477Z  | E CAP.    | 470μF 16V         | M     |
| △ C1904-06       | QCZ9054-102   | C CAP.    | 1000pF 250V       | Z     |
| △ C1907          | QEZ0169-477   | E CAP.    | 470μF 200V        | M     |
| △ C1908          | QCZ9054-102   | C CAP.    | 1000pF 250V       | Z     |
| C1912            | QCZ0340-222   | C CAP.    | 2200pF            |       |
| C1913            | QFLC1HJ-471Z  | M CAP.    | 470pF 50V         | J     |
| C1914            | QETN1HM-107Z  | E CAP.    | 100μF 50V         | M     |
| C1916            | NDC31HJ-331X  | C CAP.    | 330pF 50V         | J     |
| C1917            | NCB21HK-122X  | C CAP.    | 1200pF 50V        | K     |
| C1918            | NCB21HK-104X  | C CAP.    | 0.1μF 50V         | K     |
| C1919            | QFP32GJ-103   | PP CAP.   | 0.01μF 400V       | J     |
| C1925            | NRSA63J-0R0X  | MG R      | 0.0Ω 1/16W        | J     |

| △                  | Symbol No. | Part No.       | Part Name       | Description | Local  | △                 | Symbol No. | Part No.        | Part Name        | Description   | Local |
|--------------------|------------|----------------|-----------------|-------------|--------|-------------------|------------|-----------------|------------------|---------------|-------|
| <b>CAPACITOR</b>   |            |                |                 |             |        | <b>DIODE</b>      |            |                 |                  |               |       |
|                    | C1931      | QEZO203-107    | E CAP.          | 100μF 160V  | M      |                   | D1722      | 1SS133-T2       | SI.DIODE         |               |       |
|                    | C1932      | QETN1CM-108Z   | E CAP.          | 1000μF 16V  | M      |                   | D1723-24   | MTZJ5.6B-T2     | ZENER DIODE      |               |       |
|                    | C1933      | QETM1EM-228    | E CAP.          | 2200μF 25V  | M      |                   | D1800      | 1SS81-T2        | SI.DIODE         |               |       |
|                    | C1935      | QETN1EM-108Z   | E CAP.          | 1000μF 25V  | M      |                   | D1801      | 1SS133-T2       | SI.DIODE         |               |       |
|                    | C1937      | QCZO340-102    | C CAP.          | 1000pF      |        |                   | D1810      | MTZJ8.2C-T2     | ZENER DIODE      |               |       |
|                    | C1938      | QETM1EM-228    | E CAP.          | 2200μF 25V  | M      |                   | D1811      | 1SS133-T2       | SI.DIODE         |               |       |
|                    | C1939      | QCB32HK-152Z   | C CAP.          | 1500pF      | 500V K | △                 | D1901      | D3SBA60         | DIODE BRIDGE     |               |       |
|                    | C1941      | QCB32HK-102Z   | C CAP.          | 1000pF      | 500V K |                   | D1910      | MA700A-T2       | SI.DIODE         |               |       |
|                    | C1942      | QEHR1HM-105Z   | E CAP.          | 1μF         | 50V M  | △                 | D1911-13   | RGP10J-5025-T3  | SI.DIODE         |               |       |
|                    | C1943      | QETN1CM-108Z   | E CAP.          | 1000μF      | 16V M  |                   | D1914      | 1SS133-T2       | SI.DIODE         |               |       |
|                    | C1948      | QETN1EM-476Z   | E CAP.          | 47μF        | 25V M  |                   | D1915      | SARS01-T2       | SI.DIODE         |               |       |
|                    | C1951      | QETN1CM-477Z   | E CAP.          | 470μF       | 16V M  |                   | D1917      | MTZJ30A-T2      | ZENER DIODE      |               |       |
|                    | C1971      | QETN1CM-107Z   | E CAP.          | 100μF       | 16V M  |                   | D1918      | MTZJ5.1C-T2     | ZENER DIODE      |               |       |
|                    | C1972      | QETN1EM-476Z   | E CAP.          | 47μF        | 25V M  |                   | D1920      | 1SS133-T2       | SI.DIODE         |               |       |
|                    | C1973      | QETN1HM-106Z   | E CAP.          | 10μF        | 50V M  |                   | D1931      | RU30A-F1        | SI.DIODE         |               |       |
| △                  | C1998-99   | QCZ9074-103    | C CAP.          | 0.01μF      | 125V M |                   | D1933      | RU3YX-LFC4      | SI.DIODE         |               |       |
| <b>TRANSFORMER</b> |            |                |                 |             |        | <b>TRANSISTOR</b> |            |                 |                  |               |       |
|                    | T1501      | CE42034-002    | H.DRIVE TRANSF. |             |        |                   | D1935      | RU3YX-LFC4      | SI.DIODE         |               |       |
| △                  | T1502      | QQH0092-001    | H.V.TRANSF.     |             |        |                   | D1937      | RGP10J-5025-T3  | SI.DIODE         |               |       |
| △                  | T1921      | QQS0098-001    | SWITCH.TRANSF.  |             |        |                   | D1941      | MTZJ33A-T2      | ZENER DIODE      |               |       |
| △                  | T1951      | QQT0315-001    | POWER TRANSF.   |             |        |                   | D1945      | 1SS133-T2       | SI.DIODE         |               |       |
| <b>COIL</b>        |            |                |                 |             |        | <b>TRANSISTOR</b> |            |                 |                  |               |       |
| △                  | L1001      | QQL244K-560Z   | PEAKING COIL    | 56μH        | K      |                   | Q1011      | 2SC5083/L-P/-T  | SI.TRANSISTOR    |               |       |
|                    | L1012      | QQLZ014-R39    | PEAKING COIL    | 0.39μH      |        |                   | Q1021      | 2SC2412K/QR/-X  | SI.TRANSISTOR    |               |       |
|                    | L1021      | QRN143J-0R0X   | C R             | 0.0Ω        | 1/4W J |                   | Q1024      | 2SC2412K/QR/-X  | SI.TRANSISTOR    |               |       |
|                    | L1022      | QQL244K-220Z   | PEAKING COIL    | 22μH        | K      |                   | Q1025      | 2SA1037AK/QR/-X | SI.TRANSISTOR    |               |       |
|                    | L1027      | QRN143J-0R0X   | C R             | 0.0Ω        | 1/4W J |                   | Q1041      | 2SA1037AK/QR/-X | SI.TRANSISTOR    |               |       |
|                    | L1041      | QRN143J-0R0X   | C R             | 0.0Ω        | 1/4W J |                   | Q1131      | 2SC2412K/QR/-X  | SI.TRANSISTOR    |               |       |
|                    | L1042      | QQL244K-220Z   | PEAKING COIL    | 22μH        | K      |                   | Q1232-33   | 2SC2412K/QR/-X  | SI.TRANSISTOR    |               |       |
|                    | L1101      | QQL244K-470Z   | COIL            | 47μH        | K      |                   | Q1352      | 2SC2412K/QR/-X  | SI.TRANSISTOR    |               |       |
|                    | L1232      | QQL244K-560Z   | PEAKING COIL    | 56μH        | K      |                   | Q1431      | 2SC2412K/QR/-X  | SI.TRANSISTOR    |               |       |
| △                  | L1511      | QQR1027-003    | LINE FILTER     |             |        |                   | Q1501      | 2SC4212/Z1/     | SI.TRANSISTOR    |               |       |
|                    | L1512      | QQLZ027-821    | CHOKE COIL      | 820μH       |        |                   | △          | Q1511           | 2SD2559-LB       | SI.TRANSISTOR |       |
| △                  | L1521      | QQLZ026-430    | HEATER CHOKE    | 43μH        |        |                   | Q1531      | 2SC2785/JH/-T   | SI.TRANSISTOR    |               |       |
|                    | L1700      | QQL244K-4R7Z   | COIL            | 4.7μH       | K      |                   | Q1532      | 2SA1037AK/QR/-X | SI.TRANSISTOR    |               |       |
|                    | L1810      | QQL244J-100Z   | COIL            | 10μH        | J      |                   | Q1541-42   | 2SA1037AK/QR/-X | SI.TRANSISTOR    |               |       |
|                    | L1931      | QQL26AK-470Z   | COIL            | 47μH        | K      |                   | △          | Q1543           | 2SD1408/OY/-LB   | SI.TRANSISTOR |       |
|                    | L1933      | QQL26AK-470Z   | COIL            | 47μH        | K      |                   | Q1700      | 2SC2412K/QR/-X  | SI.TRANSISTOR    |               |       |
|                    | L1937      | QQL26AK-470Z   | COIL            | 47μH        | K      |                   | Q1701      | 2SA1037AK/QR/-X | SI.TRANSISTOR    |               |       |
| <b>DIODE</b>       |            |                |                 |             |        | <b>IC</b>         |            |                 |                  |               |       |
|                    | D1101-02   | MTZJ8.2C-T2    | ZENER DIODE     |             |        |                   | IC1101     | TB1253AN        | I.C.(M)          |               |       |
|                    | D1305      | 1SS133-T2      | SI.DIODE        |             |        | △                 | IC1401     | LA7841          | I.C.(MONO-ANA)   |               |       |
|                    | D1306      | 1SS133-T2      | SI.DIODE        |             |        |                   | IC1701     | MN1876478JL1    | I.C.(MICRO-COMP) |               |       |
|                    | D1307      | 1SS133-T2      | SI.DIODE        |             |        |                   | IC1702     | AT24C04-32D502  | I.C.(MEMORY-OTH) | (SERVICE)     |       |
|                    | D1308      | 1SS133-T2      | SI.DIODE        |             |        |                   | IC1703     | MM1437AF-X      | I.C.(MONO-ANA)   |               |       |
|                    | D1309      | 1SS133-T2      | SI.DIODE        |             |        |                   | IC1852     | AN7809F         | I.C.(MONO-ANA)   |               |       |
|                    | D1310      | 1SS133-T2      | SI.DIODE        |             |        |                   | IC1853     | AN7805F         | I.C.(MONO-ANA)   |               |       |
|                    | D1352      | MTZJ9.1C-T2    | ZENER DIODE     |             |        |                   | IC1911     | STR-G6624/F8    | I.C.(HYBRID)     |               |       |
|                    | D1353      | 1SS133-T2      | SI.DIODE        |             |        | △                 | IC1921     | SE135N          | I.C.(HYBRID)     |               |       |
|                    | D1401      | 1SR35-400A-T2  | SI.DIODE        |             |        | <b>OTHERS</b>     |            |                 |                  |               |       |
|                    | D1431      | 1SR35-400A-T2  | SI.DIODE        |             |        |                   | CF1001     | QAX0349-001     | CERAMIC FILTER   |               |       |
|                    | D1432      | 1SS133-T2      | SI.DIODE        |             |        |                   | CF1021     | QAX0639-001Z    | CERAMIC FILTER   |               |       |
|                    | D1501      | RH3G-F1        | SI.DIODE        |             |        |                   | CF1041     | QAX0642-001Z    | CERAMIC FILTER   |               |       |
|                    | D1502      | RU3AM-LFC4     | SI.DIODE        |             |        |                   | △          | CP1932-33       | ICP-N75-Y        | I.C.PROTECT   |       |
|                    | D1521      | RH1S-T3        | SI.DIODE        |             |        |                   | △          | CP1936          | ICP-N75-Y        | I.C.PROTECT   |       |
|                    | D1523-24   | RGP10J-5025-T3 | SI.DIODE        |             |        |                   | △          | F1905           | QMF2034-5R0Z-J1  | FUSE          | 5A    |
|                    | D1525-26   | 1SS81-T5       | SI.DIODE        |             |        |                   |            |                 |                  |               |       |
|                    | D1527      | 1SR124-400A-T2 | SI.DIODE        |             |        |                   |            |                 |                  |               |       |
|                    | D1529      | MTZJ5.1C-T2    | ZENER DIODE     |             |        |                   |            |                 |                  |               |       |
| △                  | D1531      | MA4068N/Z1/-T2 | ZENER DIODE     |             |        |                   |            |                 |                  |               |       |
|                    | D1535      | 1SS133-T2      | SI.DIODE        |             |        |                   |            |                 |                  |               |       |
|                    | D1537      | 1SR35-400A-T2  | SI.DIODE        |             |        |                   |            |                 |                  |               |       |
|                    | D1601      | MTZJ9.1C-T2    | ZENER DIODE     |             |        |                   |            |                 |                  |               |       |
|                    | D1603      | MTZJ9.1C-T2    | ZENER DIODE     |             |        |                   |            |                 |                  |               |       |
|                    | D1606      | MTZJ9.1C-T2    | ZENER DIODE     |             |        |                   |            |                 |                  |               |       |
|                    | D1701      | 1SS133-T2      | SI.DIODE        |             |        |                   |            |                 |                  |               |       |
|                    | D1706-10   | MTZJ8.2C-T2    | ZENER DIODE     |             |        |                   |            |                 |                  |               |       |
|                    | D1721      | 1SS133-T2      | SI.DIODE        |             |        |                   |            |                 |                  |               |       |

## FRONT CONTROL PW BOARD ASS'Y (SAC-8506A-M2)

| △ Symbol No.  | Part No.       | Part Name        | Description | Local |
|---------------|----------------|------------------|-------------|-------|
| <b>OTHERS</b> |                |                  |             |       |
| △ FR1521      | QRK126J-150X   | C R              | 15Ω 1/2W J  |       |
| △ FR1523-24   | QRX029J-3R3    | MF R             | 3.3Ω 2W J   |       |
| △ FR1525      | QRZ9017-4R7    | F R              | 4.7Ω 1/4W J |       |
| J1601         | QNN0349-002    | PIN JACK         |             |       |
| J1810         | QNS0001-001    | JACK             |             |       |
| K1401         | QQR0621-002Z   | BEADS CORE       |             |       |
| K1912         | QQR0582-001Z   | BEADS CORE       |             |       |
| K1916-17      | QQR0582-001Z   | BEADS CORE       |             |       |
| K1931-33      | QQR0582-001Z   | BEADS CORE       |             |       |
| K1935         | QQR0582-001Z   | BEADS CORE       |             |       |
| K1937         | QQR0582-001Z   | BEADS CORE       |             |       |
| K1940         | QQR0582-001Z   | BEADS CORE       |             |       |
| K1941         | QQR0621-002Z   | BEADS CORE       |             |       |
| LC1601-03     | NQR0169-001X   | EMI FILTER       |             |       |
| △ PC1921      | TLP421F/D4-GF/ | I.C.(PH.COUPLER) |             |       |
| △ RY1941      | QSK0120-001    | RELAY            |             |       |
| △ RY1951      | QSK0113-001    | RELAY            |             |       |
| SF1011        | QAX0324-002    | SAW FILTER       |             |       |
| △ TH1901      | QAD0129-3R0    | P.THERMISTOR     |             |       |
| △ TU1001      | QAU0234-001    | TUNER            |             |       |
| X1201         | CE40668-001Z   | CRYSTAL          |             |       |
| X1700         | QAX0307-001    | CER.RESONATOR    |             |       |

## CRT SOCKET PW BOARD ASS'Y (SAC-3504A-M2)

| △ Symbol No.    | Part No.     | Part Name | Description   | Local |
|-----------------|--------------|-----------|---------------|-------|
| <b>RESISTOR</b> |              |           |               |       |
| R3354-56        | NRSA63J-221X | MG R      | 220Ω 1/16W J  |       |
| R3357-59        | NRSA63J-101X | MG R      | 100Ω 1/16W J  |       |
| R3360-62        | QRZ0111-152  | C R       | 1.5kΩ 1/2W K  |       |
| R3363-65        | QRG029J-103  | OM R      | 10kΩ 2W J     |       |
| R3366-68        | NRSA63J-182X | MG R      | 1.8kΩ 1/16W J |       |
| R3372-74        | NRSA63J-221X | MG R      | 220Ω 1/16W J  |       |
| R3375-77        | NRSA63J-0R0X | MG R      | 0.0Ω 1/16W J  |       |
| R3381           | QRE121J-394Y | C R       | 390kΩ 1/2W J  |       |
| R3391           | NRSA63J-152X | MG R      | 1.5kΩ 1/16W J |       |
| R3392           | NRSA63J-392X | MG R      | 3.9kΩ 1/16W J |       |
| R3393-95        | NRSA63J-102X | MG R      | 1kΩ 1/16W J   |       |

## CAPACITOR

|          |              |        |               |  |
|----------|--------------|--------|---------------|--|
| C3354-55 | NDC31HJ-331X | C CAP. | 330pF 50V J   |  |
| C3356    | NDC31HJ-391X | C CAP. | 390pF 50V J   |  |
| C3357    | QETN1CM-107Z | E CAP. | 100μF 16V M   |  |
| C3382    | QCZ0121-102  | C CAP. | 1000pF 300V Z |  |
| C3391    | QETN1AM-227Z | E CAP. | 220μF 10V M   |  |
| C3392    | NDC31HJ-101X | C CAP. | 100pF 50V J   |  |

## COIL

|       |              |              |       |   |
|-------|--------------|--------------|-------|---|
| L3381 | QQL244K-101Z | PEAKING COIL | 100μH | K |
|-------|--------------|--------------|-------|---|

## DIODE

|       |           |          |  |  |
|-------|-----------|----------|--|--|
| D3391 | 1SS133-T2 | SI.DIODE |  |  |
|-------|-----------|----------|--|--|

## TRANSISTOR

|          |               |               |  |  |
|----------|---------------|---------------|--|--|
| Q3351-53 | 2SC4544-LB    | SI.TRANSISTOR |  |  |
| Q3391    | 2SA933AS/QR-T | SI.TRANSISTOR |  |  |

## OTHERS

|          |             |              |  |  |
|----------|-------------|--------------|--|--|
| △ SK3351 | QNZ0464-001 | C.R.T.SOCKET |  |  |
|----------|-------------|--------------|--|--|

| △ Symbol No.    | Part No.     | Part Name | Description   | Local |
|-----------------|--------------|-----------|---------------|-------|
| <b>RESISTOR</b> |              |           |               |       |
| R8702           | NRSA63J-472X | MG R      | 4.7kΩ 1/16W J |       |
| R8703           | NRSA63J-153X | MG R      | 15kΩ 1/16W J  |       |
| R8705           | NRSA63J-472X | MG R      | 4.7kΩ 1/16W J |       |
| R8706           | NRSA63J-153X | MG R      | 15kΩ 1/16W J  |       |
| R8707           | NRSA63J-222X | MG R      | 2.2kΩ 1/16W J |       |
| R8708           | NRSA63J-681X | MG R      | 680Ω 1/16W J  |       |
| R8709           | NRSA63J-561X | MG R      | 560Ω 1/16W J  |       |

## CAPACITOR

|       |              |        |            |  |
|-------|--------------|--------|------------|--|
| C8701 | QETN1EM-476Z | E CAP. | 47μF 25V M |  |
|-------|--------------|--------|------------|--|

## DIODE

|       |        |             |  |  |
|-------|--------|-------------|--|--|
| D8701 | GL2PR6 | L.E.D.(RED) |  |  |
|-------|--------|-------------|--|--|

## TRANSISTOR

|          |             |                 |  |  |
|----------|-------------|-----------------|--|--|
| Q8701-02 | DTA124EKA-X | DIGI.TRANSISTOR |  |  |
|----------|-------------|-----------------|--|--|

## IC

|        |             |                 |  |  |
|--------|-------------|-----------------|--|--|
| IC8701 | PIC-28143SY | IFR DETECT UNIT |  |  |
|--------|-------------|-----------------|--|--|

## OTHERS

|       |               |              |       |  |
|-------|---------------|--------------|-------|--|
|       | CM46978-A01-H | L.E.D.HOLDER |       |  |
| S8701 | QSW0707-001Z  | TACT SWITCH  | POWER |  |
| S8702 | QSW0707-001Z  | TACT SWITCH  | MENU  |  |
| S8703 | QSW0707-001Z  | TACT SWITCH  | CH-   |  |
| S8704 | QSW0707-001Z  | TACT SWITCH  | CH+   |  |
| S8705 | QSW0707-001Z  | TACT SWITCH  | VOL-  |  |
| S8706 | QSW0707-001Z  | TACT SWITCH  | VOL+  |  |

## FRONT AV INPUT PW BOARD ASS'Y (SAC-8604A-M2)

| △ Symbol No.    | Part No.     | Part Name | Description   | Local |
|-----------------|--------------|-----------|---------------|-------|
| <b>RESISTOR</b> |              |           |               |       |
| R8401           | NRSA63J-750X | MG R      | 75Ω 1/16W J   |       |
| R8402-03        | NRSA63J-224X | MG R      | 220kΩ 1/16W J |       |

## CAPACITOR

|          |              |        |              |  |
|----------|--------------|--------|--------------|--|
| C8401    | QETN1HM-474Z | E CAP. | 0.47μF 50V M |  |
| C8402-03 | QETN1HM-105Z | E CAP. | 1μF 50V M    |  |

## OTHERS

|        |             |          |  |  |
|--------|-------------|----------|--|--|
| J8401  | CEMN041-001 | PIN JACK |  |  |
| LC8401 | QQR1199-001 | FILTER   |  |  |



## LF PW BOARD ASS'Y (SAC-9502A-M2)

| △ Symbol No.     | Part No.       | Part Name   | Description  | Local |
|------------------|----------------|-------------|--------------|-------|
| <b>RESISTOR</b>  |                |             |              |       |
| R9997            | QRE121J-5R6Y   | C R         | 5.6Ω 1/2W J  |       |
| △ R9998          | QRZ9041-275    | C R         | 2.7MΩ 1/2W K |       |
| <b>CAPACITOR</b> |                |             |              |       |
| △ C9901          | QFZ9067-104    | MM CAP.     | 0.1μF        |       |
| △ C9902          | QFZ9067-473    | MM CAP.     | 0.047μF      |       |
| △ C9904          | QCZ9052-102    | C CAP.      | 1000pF       |       |
| <b>OTHERS</b>    |                |             |              |       |
| △ CN90PW         | QMPD200-200-JC | POWER CORD  |              |       |
| △ F9901          | QMF0007-5R0J1  | FUSE        | 5A           |       |
| FC9901           | CEMG002-001Z   | FUSE CLIP   |              |       |
| △ LF9902         | QQR0527-003    | LINE FILTER |              |       |
| △ VA9901         | ERZV10V621CS   | VARISTOR    |              |       |

## PIP PW BOARD ASS'Y (SAC0P502A-M2)

| △ Symbol No.     | Part No.     | Part Name | Description   | Local |
|------------------|--------------|-----------|---------------|-------|
| <b>RESISTOR</b>  |              |           |               |       |
| R0001-02         | NRSA63J-103X | MG R      | 10kΩ 1/16W J  |       |
| R0003-04         | NRSA63J-101X | MG R      | 100Ω 1/16W J  |       |
| R0005            | NRSA63J-0R0X | MG R      | 0.0Ω 1/16W J  |       |
| R0011            | NRSA63J-0R0X | MG R      | 0.0Ω 1/16W J  |       |
| R0121            | NRSA63J-0R0X | MG R      | 0.0Ω 1/16W J  |       |
| R0301            | NRSA63J-473X | MG R      | 47kΩ 1/16W J  |       |
| R0303            | NRSA63J-222X | MG R      | 2.2kΩ 1/16W J |       |
| R0304            | NRSA63J-473X | MG R      | 47kΩ 1/16W J  |       |
| R0306            | NRSA63J-222X | MG R      | 2.2kΩ 1/16W J |       |
| R0307-08         | NRSA63J-332X | MG R      | 3.3kΩ 1/16W J |       |
| R0309            | NRSA63J-102X | MG R      | 1kΩ 1/16W J   |       |
| R0311            | NRSA63J-101X | MG R      | 100Ω 1/16W J  |       |
| R0313            | NRSA63J-101X | MG R      | 100Ω 1/16W J  |       |
| R0314            | NRSA63J-0R0X | MG R      | 0.0Ω 1/16W J  |       |
| R0316            | NRSA63J-331X | MG R      | 330Ω 1/16W J  |       |
| R0317            | NRSA63J-0R0X | MG R      | 0.0Ω 1/16W J  |       |
| R0331            | NRSA63J-0R0X | MG R      | 0.0Ω 1/16W J  |       |
| R0337            | NRSA63J-0R0X | MG R      | 0.0Ω 1/16W J  |       |
| R0343            | NRSA63J-0R0X | MG R      | 0.0Ω 1/16W J  |       |
| <b>CAPACITOR</b> |              |           |               |       |
| C0003-04         | QETN1HM-106Z | E CAP.    | 10μF 50V M    |       |
| C0006            | QETN1HM-106Z | E CAP.    | 10μF 50V M    |       |
| C0008            | QETN1EM-476Z | E CAP.    | 47μF 25V M    |       |
| C0301-02         | NRSA63J-0R0X | MG R      | 0.0Ω 1/16W J  |       |
| C0312-13         | NDC31HJ-270X | C CAP.    | 27pF 50V J    |       |
| C0314            | QETN1HM-106Z | E CAP.    | 10μF 50V M    |       |
| C0315            | NCB31HK-103X | C CAP.    | 0.01μF 50V K  |       |
| C0316-18         | NCB21HK-104X | C CAP.    | 0.1μF 50V K   |       |
| C0319            | QETN1HM-106Z | E CAP.    | 10μF 50V M    |       |
| C0320            | NCB31HK-103X | C CAP.    | 0.01μF 50V K  |       |
| C0321            | QETN1HM-105Z | E CAP.    | 1μF 50V M     |       |
| C0322            | NCB31HK-103X | C CAP.    | 0.01μF 50V K  |       |
| C0323            | QETN1HM-106Z | E CAP.    | 10μF 50V M    |       |
| C0324-25         | NCB31HK-103X | C CAP.    | 0.01μF 50V K  |       |
| C0326            | NCB21HK-104X | C CAP.    | 0.1μF 50V K   |       |
| C0327            | QETN1HM-225Z | E CAP.    | 2.2μF 50V M   |       |
| C0328            | NCB31HK-103X | C CAP.    | 0.01μF 50V K  |       |
| C0329            | QETN1HM-225Z | E CAP.    | 2.2μF 50V M   |       |
| C0330            | NCB31HK-103X | C CAP.    | 0.01μF 50V K  |       |

| △ Symbol No.      | Part No.       | Part Name      | Description | Local |
|-------------------|----------------|----------------|-------------|-------|
| <b>CAPACITOR</b>  |                |                |             |       |
| C0331             | NCB21HK-104X   | C CAP.         | 0.1μF 50V K |       |
| <b>COIL</b>       |                |                |             |       |
| L0302-04          | QQL244J-6R8Z   | COIL           | 6.8μH       | J     |
| <b>DIODE</b>      |                |                |             |       |
| D0301             | 1SS133-T2      | SI.DIODE       |             |       |
| <b>TRANSISTOR</b> |                |                |             |       |
| Q0301-03          | 2SC2412K/QR/-X | SI.TRANSISTOR  |             |       |
| <b>IC</b>         |                |                |             |       |
| IC0001            | AN7805F        | I.C.(MONO-ANA) |             |       |
| IC0301            | SDA9389X-X     | I.C.(DIGI-MOS) |             |       |
| <b>OTHERS</b>     |                |                |             |       |
| △ TU0001          | QAU0206-001    | TUNER          |             |       |
| X0301             | QAX0521-001Z   | CRYSTAL        |             |       |

## AV SELECTOR PW BOARD ASS'Y (SAC0S509A-M2)

| △ Symbol No.    | Part No.     | Part Name | Description   | Local |
|-----------------|--------------|-----------|---------------|-------|
| <b>RESISTOR</b> |              |           |               |       |
| R0081           | NRSA63J-102X | MG R      | 1kΩ 1/16W J   |       |
| R0082           | NRSA63J-682X | MG R      | 6.8kΩ 1/16W J |       |
| R0083           | NRSA63J-153X | MG R      | 15kΩ 1/16W J  |       |
| R0084           | NRSA63J-683X | MG R      | 68kΩ 1/16W J  |       |
| R0085           | NRSA63J-332X | MG R      | 3.3kΩ 1/16W J |       |
| R0086           | NRSA63J-333X | MG R      | 33kΩ 1/16W J  |       |
| R0087           | NRSA63J-153X | MG R      | 15kΩ 1/16W J  |       |
| R0088           | NRSA63J-152X | MG R      | 1.5kΩ 1/16W J |       |
| R0089           | NRSA63J-562X | MG R      | 5.6kΩ 1/16W J |       |
| R0090           | NRSA63J-563X | MG R      | 56kΩ 1/16W J  |       |
| R0202           | NRSA63J-101X | MG R      | 100Ω 1/16W J  |       |
| R0210           | NRSA63J-0R0X | MG R      | 0.0Ω 1/16W J  |       |
| R0211           | NRSA63J-153X | MG R      | 15kΩ 1/16W J  |       |
| R0212           | NRSA63J-333X | MG R      | 33kΩ 1/16W J  |       |
| R0213           | NRSA63J-102X | MG R      | 1kΩ 1/16W J   |       |
| R0214           | NRSA63J-181X | MG R      | 180Ω 1/16W J  |       |
| R0215           | NRSA63J-152X | MG R      | 1.5kΩ 1/16W J |       |
| R0216           | NRSA63J-182X | MG R      | 1.8kΩ 1/16W J |       |
| R0217           | NRSA63J-102X | MG R      | 1kΩ 1/16W J   |       |
| R0218           | NRSA63J-222X | MG R      | 2.2kΩ 1/16W J |       |
| R0223           | NRSA63J-0R0X | MG R      | 0.0Ω 1/16W J  |       |
| R0229           | NRSA63J-473X | MG R      | 47kΩ 1/16W J  |       |
| R0230           | NRSA63J-223X | MG R      | 22kΩ 1/16W J  |       |
| R0231           | NRSA63J-101X | MG R      | 100Ω 1/16W J  |       |
| R0232           | NRSA63J-102X | MG R      | 1kΩ 1/16W J   |       |
| R0233           | NRSA63J-272X | MG R      | 2.7kΩ 1/16W J |       |
| R0234           | NRSA63J-102X | MG R      | 1kΩ 1/16W J   |       |
| R0235-36        | NRSA63J-101X | MG R      | 100Ω 1/16W J  |       |
| R0238           | NRSA63J-822X | MG R      | 8.2kΩ 1/16W J |       |
| R0239           | NRSA63J-123X | MG R      | 12kΩ 1/16W J  |       |
| R0241           | NRSA63J-821X | MG R      | 820Ω 1/16W J  |       |
| R0242           | NRSA63J-474X | MG R      | 470kΩ 1/16W J |       |

| △ Symbol No.    | Part No.     | Part Name | Description   | Local |
|-----------------|--------------|-----------|---------------|-------|
| <b>RESISTOR</b> |              |           |               |       |
| R0243-44        | NRSA63J-103X | MG R      | 10kΩ 1/16W J  |       |
| R0247           | NRSA63J-101X | MG R      | 100Ω 1/16W J  |       |
| R0251           | NRSA63J-471X | MG R      | 470Ω 1/16W J  |       |
| R0253           | NRSA63J-681X | MG R      | 680Ω 1/16W J  |       |
| R0254           | NRSA63J-391X | MG R      | 390Ω 1/16W J  |       |
| R0255           | NRSA63J-681X | MG R      | 680Ω 1/16W J  |       |
| R0258           | NRSA63J-101X | MG R      | 100Ω 1/16W J  |       |
| R0259           | NRSA63J-222X | MG R      | 2.2kΩ 1/16W J |       |
| R0261           | NRSA63J-101X | MG R      | 100Ω 1/16W J  |       |
| R0262           | NRSA63J-222X | MG R      | 2.2kΩ 1/16W J |       |
| R0263           | NRSA63J-471X | MG R      | 470Ω 1/16W J  |       |
| R0265           | NRSA63J-102X | MG R      | 1kΩ 1/16W J   |       |
| R0269           | NRSA63J-681X | MG R      | 680Ω 1/16W J  |       |
| R0270           | NRSA63J-820X | MG R      | 82Ω 1/16W J   |       |
| R0301-02        | NRSA63J-222X | MG R      | 2.2kΩ 1/16W J |       |
| R0303-04        | NRSA63J-221X | MG R      | 220Ω 1/16W J  |       |
| R0305-06        | NRSA63J-0R0X | MG R      | 0.0Ω 1/16W J  |       |
| R0331-34        | NRSA63J-101X | MG R      | 100Ω 1/16W J  |       |
| R0371-74        | NRSA63J-103X | MG R      | 10kΩ 1/16W J  |       |
| R0375-76        | NRSA63J-333X | MG R      | 33kΩ 1/16W J  |       |
| R0377-78        | NRSA63J-472X | MG R      | 4.7kΩ 1/16W J |       |
| R0385           | NRSA63J-223X | MG R      | 22kΩ 1/16W J  |       |
| R0387           | NRSA63J-223X | MG R      | 22kΩ 1/16W J  |       |
| R0391-92        | NRSA63J-221X | MG R      | 220Ω 1/16W J  |       |
| R0393-94        | NRSA63J-823X | MG R      | 82kΩ 1/16W J  |       |
| R0395-96        | NRSA63J-221X | MG R      | 220Ω 1/16W J  |       |
| R0401           | NRSA63J-183X | MG R      | 18kΩ 1/16W J  |       |
| R0402           | NRSA63J-223X | MG R      | 22kΩ 1/16W J  |       |
| R0458           | NRSA63J-333X | MG R      | 33kΩ 1/16W J  |       |
| R0459           | NRSA63J-183X | MG R      | 18kΩ 1/16W J  |       |
| R0501-02        | NRSA63J-102X | MG R      | 1kΩ 1/16W J   |       |
| R0504-05        | NRSA63J-102X | MG R      | 1kΩ 1/16W J   |       |
| R0507-08        | NRSA63J-102X | MG R      | 1kΩ 1/16W J   |       |
| R0509           | NRSA63J-221X | MG R      | 220Ω 1/16W J  |       |
| R0518           | NRSA63J-333X | MG R      | 33kΩ 1/16W J  |       |
| R0519-21        | NRSA63J-750X | MG R      | 75Ω 1/16W J   |       |
| R0522-23        | NRSA63J-224X | MG R      | 220kΩ 1/16W J |       |
| R0528-29        | NRSA63J-0R0X | MG R      | 0.0Ω 1/16W J  |       |
| R0532-33        | NRSA63J-224X | MG R      | 220kΩ 1/16W J |       |
| R0558-61        | NRSA63J-0R0X | MG R      | 0.0Ω 1/16W J  |       |
| R0566-67        | NRSA63J-331X | MG R      | 330Ω 1/16W J  |       |
| R0571           | NRSA63J-101X | MG R      | 100Ω 1/16W J  |       |
| R0573           | NRSA63J-272X | MG R      | 2.7kΩ 1/16W J |       |
| R0574           | NRSA63J-0R0X | MG R      | 0.0Ω 1/16W J  |       |
| R0901           | NRSA63J-101X | MG R      | 100Ω 1/16W J  |       |
| R0906           | NRSA63J-0R0X | MG R      | 0.0Ω 1/16W J  |       |

**CAPACITOR**

|          |              |           |               |
|----------|--------------|-----------|---------------|
| C0081    | NCB21HK-104X | C CAP.    | 0.1μF 50V K   |
| C0082    | QENC1HM-475Z | BP E CAP. | 4.7μF 50V M   |
| C0083    | QENC1HM-105Z | BP E CAP. | 1μF 50V M     |
| C0084    | QETN1HM-225Z | E CAP.    | 2.2μF 50V M   |
| C0085    | NCB21HK-473X | C CAP.    | 0.047μF 50V K |
| C0086    | QETN1HM-474Z | E CAP.    | 0.47μF 50V M  |
| C0087-88 | NCB21HK-104X | C CAP.    | 0.1μF 50V K   |
| C0089    | QETN1HM-335Z | E CAP.    | 3.3μF 50V M   |
| C0090    | QETN1HM-105Z | E CAP.    | 1μF 50V M     |
| C0091    | QETN1HM-106Z | E CAP.    | 10μF 50V M    |
| C0092-93 | QETN1HM-105Z | E CAP.    | 1μF 50V M     |
| C0094    | QETN1HM-475Z | E CAP.    | 4.7μF 50V M   |
| C0095    | QETN1HM-105Z | E CAP.    | 1μF 50V M     |
| C0205    | QETN1HM-476Z | E CAP.    | 47μF 50V M    |
| C0206    | NCB31HK-103X | C CAP.    | 0.01μF 50V K  |
| C0211    | QENC1EM-106Z | BP E CAP. | 10μF 25V M    |
| C0212    | NDC31HJ-101X | C CAP.    | 100pF 50V J   |
| C0213    | NDC31HJ-470X | C CAP.    | 47pF 50V J    |
| C0214    | NDC31HJ-181X | C CAP.    | 180pF 50V J   |
| C0215    | QETN1HM-474Z | E CAP.    | 0.47μF 50V M  |
| C0223    | NCB31HK-103X | C CAP.    | 0.01μF 50V K  |
| C0226    | NCB31HK-103X | C CAP.    | 0.01μF 50V K  |
| C0231-33 | QETN1HM-106Z | E CAP.    | 10μF 50V M    |
| C0234    | NCB31HK-103X | C CAP.    | 0.01μF 50V K  |

| △ Symbol No.     | Part No.     | Part Name | Description   | Local |
|------------------|--------------|-----------|---------------|-------|
| <b>CAPACITOR</b> |              |           |               |       |
| C0235            | QETN1HM-106Z | E CAP.    | 10μF 50V M    |       |
| C0236            | NCB31HK-103X | C CAP.    | 0.01μF 50V K  |       |
| C0237            | NCB31HK-472X | C CAP.    | 4700pF 50V K  |       |
| C0238-39         | NCB31HK-103X | C CAP.    | 0.01μF 50V K  |       |
| C0241-45         | NCB31HK-103X | C CAP.    | 0.01μF 50V K  |       |
| C0246            | NDC31HJ-181X | C CAP.    | 180pF 50V J   |       |
| C0247-49         | NCB31HK-103X | C CAP.    | 0.01μF 50V K  |       |
| C0251            | QETN1HM-476Z | E CAP.    | 47μF 50V M    |       |
| C0252            | NCB31HK-103X | C CAP.    | 0.01μF 50V K  |       |
| C0255            | NDC31HJ-390X | C CAP.    | 39pF 50V J    |       |
| C0263            | NDC31HJ-150X | C CAP.    | 15pF 50V J    |       |
| C0264            | QENC1HM-474Z | BP E CAP. | 0.47μF 50V M  |       |
| C0265            | NCB31HK-103X | C CAP.    | 0.01μF 50V K  |       |
| C0309-10         | NCB31HK-102X | C CAP.    | 1000pF 50V K  |       |
| C0311-12         | NRSA63J-0R0X | MG R      | 0.0Ω 1/16W J  |       |
| C0331            | QETN1CM-107Z | E CAP.    | 100μF 16V M   |       |
| C0332            | NCB31HK-103X | C CAP.    | 0.01μF 50V K  |       |
| C0333            | QETN1EM-476Z | E CAP.    | 47μF 25V M    |       |
| C0334            | NCB21HK-273X | C CAP.    | 0.027μF 50V K |       |
| C0335            | QETN1HM-225Z | E CAP.    | 2.2μF 50V M   |       |
| C0336            | NCB31HK-222X | C CAP.    | 2200pF 50V K  |       |
| C0337            | NCB21HK-104X | C CAP.    | 0.1μF 50V K   |       |
| C0338            | QETN1HM-225Z | E CAP.    | 2.2μF 50V M   |       |
| C0339            | NCB31HK-222X | C CAP.    | 2200pF 50V K  |       |
| C0340            | NCB21HK-104X | C CAP.    | 0.1μF 50V K   |       |
| C0343            | QETN1HM-105Z | E CAP.    | 1μF 50V M     |       |
| C0344-45         | QENC1HM-225Z | BP E CAP. | 2.2μF 50V M   |       |
| C0371-72         | QENC1HM-105Z | BP E CAP. | 1μF 50V M     |       |
| C0373            | QETN1EM-476Z | E CAP.    | 47μF 25V M    |       |
| C0391-92         | QETN1HM-474Z | E CAP.    | 0.47μF 50V M  |       |
| C0401            | QETN1CM-107Z | E CAP.    | 100μF 16V M   |       |
| C0402-03         | NCF21CZ-105X | C CAP.    | 1μF 16V Z     |       |
| C0404            | QFV71HJ-224Z | MF CAP.   | 0.22μF 50V J  |       |
| C0407            | QETN1EM-108Z | E CAP.    | 1000μF 25V M  |       |
| C0410-11         | QETN1EM-108Z | E CAP.    | 1000μF 25V M  |       |
| C0412-13         | QETN1HM-105Z | E CAP.    | 1μF 50V M     |       |
| C0501-02         | NCB31HK-103X | C CAP.    | 0.01μF 50V K  |       |
| C0503            | QETN1HM-226Z | E CAP.    | 22μF 50V M    |       |
| C0504            | QETN1EM-476Z | E CAP.    | 47μF 25V M    |       |
| C0505            | QENC1HM-474Z | BP E CAP. | 0.47μF 50V M  |       |
| C0508            | QETN1HM-474Z | E CAP.    | 0.47μF 50V M  |       |
| C0509            | NCB31HK-103X | C CAP.    | 0.01μF 50V K  |       |
| C0511            | QETN1HM-474Z | E CAP.    | 0.47μF 50V M  |       |
| C0512-13         | QETN1HM-105Z | E CAP.    | 1μF 50V M     |       |
| C0520-21         | QETN1HM-105Z | E CAP.    | 1μF 50V M     |       |
| C0531-32         | NCB31HK-103X | C CAP.    | 0.01μF 50V K  |       |
| C0536-39         | NCB31HK-103X | C CAP.    | 0.01μF 50V K  |       |

**COIL**

|          |              |      |         |
|----------|--------------|------|---------|
| L0202    | QLL244K-150Z | COIL | 15μH K  |
| L0211    | QLL244K-4R7Z | COIL | 4.7μH K |
| L0242-43 | QLL244K-4R7Z | COIL | 4.7μH K |
| L0261    | QLL244K-150Z | COIL | 15μH K  |

**DIODE**

|          |            |             |
|----------|------------|-------------|
| D0391-92 | MTZJ10C-T2 | ZENER DIODE |
| D0501-02 | MTZJ10C-T2 | ZENER DIODE |
| D0504    | MTZJ10C-T2 | ZENER DIODE |
| D0509    | MTZJ10C-T2 | ZENER DIODE |
| D0511    | MTZJ10C-T2 | ZENER DIODE |
| D0515-19 | MTZJ10C-T2 | ZENER DIODE |
| D0521    | MTZJ10C-T2 | ZENER DIODE |

**TRANSISTOR**

|          |                 |               |
|----------|-----------------|---------------|
| Q0211-12 | 2SC2412K/QR/-X  | SI.TRANSISTOR |
| Q0218    | 2SC2412K/QR/-X  | SI.TRANSISTOR |
| Q0219    | 2SA1037AK/QR/-X | SI.TRANSISTOR |
| Q0251    | 2SC2412K/QR/-X  | SI.TRANSISTOR |
| Q0252    | 2SA1037AK/QR/-X | SI.TRANSISTOR |
| Q0253    | 2SC2412K/QR/-X  | SI.TRANSISTOR |
| Q0261-62 | 2SC2412K/QR/-X  | SI.TRANSISTOR |

| △ Symbol No.      | Part No.        | Part Name       | Description | Local |
|-------------------|-----------------|-----------------|-------------|-------|
| <b>TRANSISTOR</b> |                 |                 |             |       |
| Q0263             | 2SA1037AK/QR/-X | SI.TRANSISTOR   |             |       |
| Q0301-02          | DTC124EKA-X     | DIGI.TRANSISTOR |             |       |
| Q0385             | DTC323TK-X      | DIGI.TRANSISTOR |             |       |
| Q0387             | DTC323TK-X      | DIGI.TRANSISTOR |             |       |
| Q0453             | 2SC2412K/QR/-X  | SI.TRANSISTOR   |             |       |
| Q0454             | DTC124EKA-X     | DIGI.TRANSISTOR |             |       |
| Q0509             | 2SC2412K/QR/-X  | SI.TRANSISTOR   |             |       |
| <b>IC</b>         |                 |                 |             |       |
| IC0001            | UPC1851BCU      | I.C.(MONO-ANA)  |             |       |
| IC0201            | TC90A53N        | I.C.(DIGI-MOS)  |             |       |
| IC0371            | BA15218N        | I.C.(MONO-ANA)  |             |       |
| IC0401            | LA4485          | I.C.(MONO-ANA)  |             |       |
| IC0501            | CXA2089Q-X      | I.C.(MONO-ANA)  |             |       |
| <b>OTHERS</b>     |                 |                 |             |       |
| J0501             | QNZ0454-001     | PIN JACK        |             |       |
| J0502-03          | QNN0348-001     | PIN JACK        |             |       |

## REMOTE CONTROL UNIT PARTS LIST (RM-C305-1A)

| △ Ref.No. | Part No.    | Part Name     | Description | Local |
|-----------|-------------|---------------|-------------|-------|
|           | UR52EC1286A | BATTERY COVER |             |       |

## DIFFERENCE PARTS LIST BETWEEN AV-36260/R AND AV-36260/H

The picture tubes used for the models AV-36260/R and AV-36260/H are difference. The electrical parts are also difference according to the PICTURE TUBE.

In the DIFFERENCE PARTS LIST BETWEEN AV-36260/R and AV-36260/H, only difference points between these models are written. For other parts not mentioned in the list, please refer to the PARTS LIST(P47 – P53) for the AV-36260/R.

## DIFFERENCE PARTS LIST

### MAIN PWB

| ⚠ | Symbol No. | Part No.                         |                                  | Part Name       |
|---|------------|----------------------------------|----------------------------------|-----------------|
|   |            | AV-36260/R                       | AV-36260/H                       |                 |
|   |            | <b>SAC-1533A-M2</b>              | <b>SAC-1534A-M2</b>              | <b>MAIN PWB</b> |
| ⚠ | C1515      | QFZ0197-624<br>(0.62μF, 250V, J) | QFZ0197-564<br>(0.56μF, 250V, J) | MPP CAP.        |

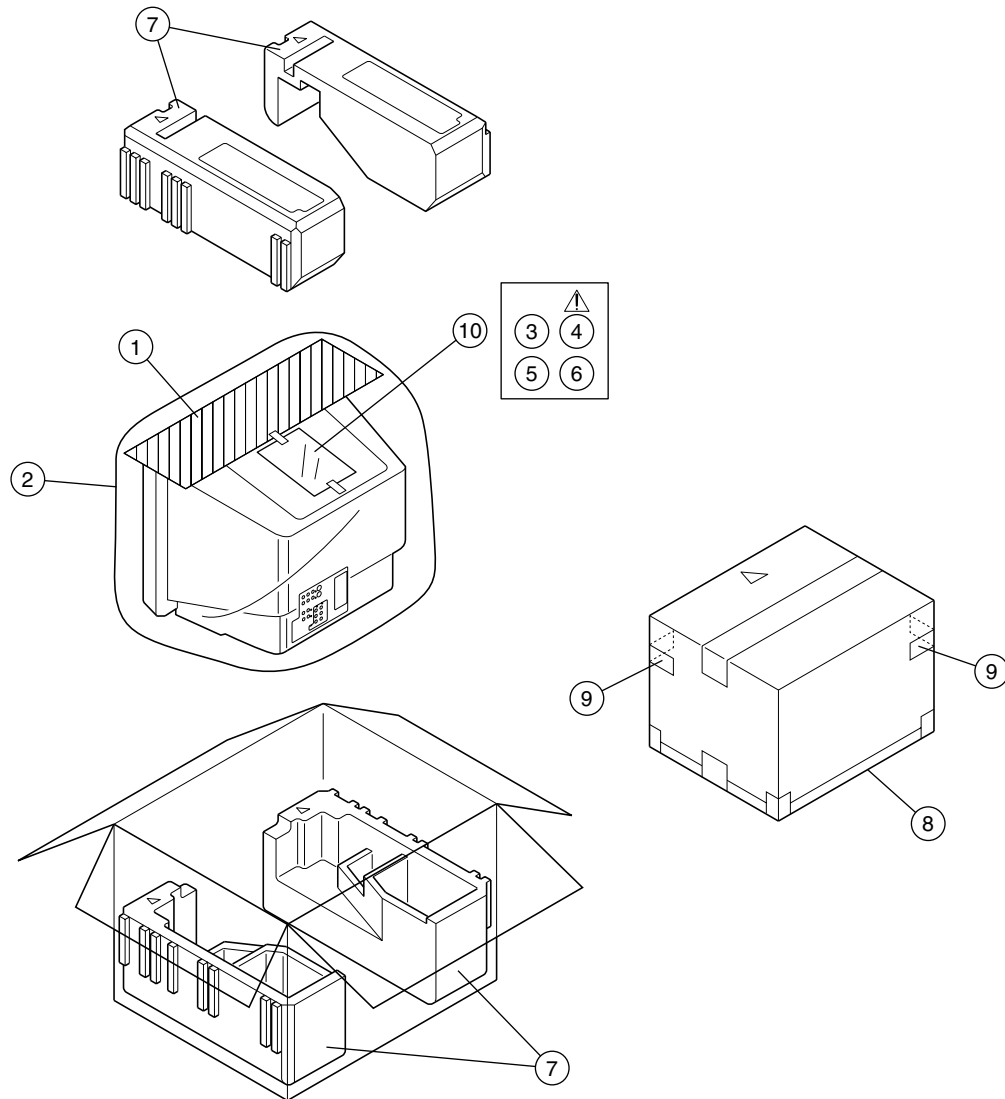
### CRT SOCKET PWB

| ⚠ | Symbol No. | Part No.            |                     | Part Name             |
|---|------------|---------------------|---------------------|-----------------------|
|   |            | AV-36260/R          | AV-36260/H          |                       |
|   |            | <b>SAC-3504A-M2</b> | <b>SAC-3505A-M2</b> | <b>CRT SOCKET PWB</b> |

### CRT SOCKET PW BOARD ASS'Y (SAC-3505A-M2)

| ⚠                 | Symbol No. | Part No.       | Part Name     | Description  | Local |
|-------------------|------------|----------------|---------------|--------------|-------|
| <b>RESISTOR</b>   |            |                |               |              |       |
|                   | R3354-56   | NRSA63J-221X   | MG R          | 220Ω 1/16W   | J     |
|                   | R3357-59   | NRSA63J-101X   | MG R          | 100Ω 1/16W   | J     |
|                   | R3360-62   | QRZ0111-152    | C R           | 1.5kΩ 1/2W   | K     |
|                   | R3363-65   | QRG029J-103    | OM R          | 10kΩ 2W      | J     |
|                   | R3366-68   | NRSA63J-182X   | MG R          | 1.8kΩ 1/16W  | J     |
|                   | R3372-74   | NRSA63J-221X   | MG R          | 220Ω 1/16W   | J     |
|                   | R3375-77   | NRSA63J-0R0X   | MG R          | 0.0Ω 1/16W   | J     |
|                   | R3381      | QRE121J-394Y   | C R           | 390kΩ 1/2W   | J     |
|                   | R3391      | NRSA63J-152X   | MG R          | 1.5kΩ 1/16W  | J     |
|                   | R3392      | NRSA63J-392X   | MG R          | 3.9kΩ 1/16W  | J     |
|                   | R3393-95   | NRSA63J-102X   | MG R          | 1kΩ 1/16W    | J     |
| <b>CAPACITOR</b>  |            |                |               |              |       |
|                   | C3354-55   | NDC31HJ-331X   | C CAP.        | 330pF 50V    | J     |
|                   | C3356      | NDC31HJ-391X   | C CAP.        | 390pF 50V    | J     |
|                   | C3357      | QETN1CM-107Z   | E CAP.        | 100μF 16V    | M     |
|                   | C3382      | QCZ0121-102    | C CAP.        | 1000pF 3000V | Z     |
|                   | C3391      | QETN1AM-227Z   | E CAP.        | 220μF 10V    | M     |
|                   | C3392      | NDC31HJ-101X   | C CAP.        | 100pF 50V    | J     |
| <b>COIL</b>       |            |                |               |              |       |
|                   | L3381      | QQL244K-101Z   | PEAKING COIL  | 100μH        | K     |
| <b>DIODE</b>      |            |                |               |              |       |
|                   | D3391      | 1SS133-T2      | SI.DIODE      |              |       |
| <b>TRANSISTOR</b> |            |                |               |              |       |
|                   | Q3351-53   | 2SC4544-LB     | SI.TRANSISTOR |              |       |
|                   | Q3391      | 2SA933AS/QR/-T | SI.TRANSISTOR |              |       |
| <b>OTHERS</b>     |            |                |               |              |       |
| ⚠                 | SK3351     | QNZ0464-001    | C.R.T.SOCKET  |              |       |

# PACKING



## PACKING PARTS LIST

| △ Ref.No. | Part No.       | Part Name     | Description  | Local |
|-----------|----------------|---------------|--------------|-------|
| 1         | CP30055-A02-A  | TOP COVER     |              |       |
| 2         | CP30056-004-A  | POLY BAG      |              |       |
| 3         | RM-C306-1A     | RC HAND UNIT  | (AV-36230)   |       |
| 3         | RM-C305-1A     | RC HAND UNIT  | (AV-36260)   |       |
| △ 4       | LCT0951-001A-A | INST BOOK     |              |       |
| 5         | BT-51020-1Q    | REGISTER CARD |              |       |
| 6         | BT-52004-1Q    | WARRANTY CARD |              |       |
| 7         | CP11387-A0D-A  | CUSHION ASSY  | 4pcs in 1set |       |
| 8         | LC10181-024A-A | PACKING CASE  |              |       |
| 9         | CM36616-001-A  | CORNER LABEL  | 2pcs in 1set |       |
| 10        | QPA02503505    | POLY BAG      |              |       |